

Halogen reflector

13158 150W GX5.3 21V 1CT



Philips' halogen reflector lamps offer the ideal no-fuss solution for a wide variety of medical, projection and scientific illumination systems. Their proven reliability makes them ideal for retrofit installations. The burners are precisely aligned for optimal light performance. Dichroic reflectors ensure heat dissipation towards the back of the optical system, which helps the optical system remain within temperature limits. A special blue-filter version blocking out unwanted light above 700 nm is available for dental curing applications. In addition, you get all the proven advantages of halogen technology such as a CRI of 100 – the same as natural sunlight for the best possible color rendering. Halogen lamps also create a comfortable warm white light, and they maintain their high lumen output with almost no lumen reduction throughout their lifetime.

Product data

• General Characteristics

Philips Code	13158
ANSI Code	ELD/EJN
J Code	-
LIF Code	-
Cap-Base	GX5.3
Cap-Base Information	-
Bulb	R50
Bulb Material	Quartz-UV Open
Reflector Finish	Stippled
Filament Shape	-
Operating Position	s90
Main Application	Projection
Life to 50% failures	40 hr

• Light Technical Characteristics

Color Rendering Index	100 Ra8
Color Temperature	3400 K
Technical Luminous Flux Lamp	320 Lm

• Electrical Characteristics

Lamp Wattage	150 W
Voltage	21 V
Dimmable	Yes

• Luminaire Design Requirements

Pinch Temperature	400 (max) C
Bulb Temperature	900 (max) C
Working Distance	165 mm
WD	

• Product Dimensions

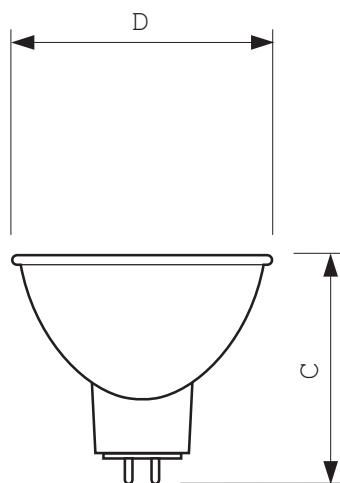
Overall Length C	44.45 (max) mm
Diameter D	50.67 (max) mm
Filament Dimensions (WxH) [mm]	-

• Product Data

Order code	923921319894
Full product code	923921319894
Full product name	13158 150W GX5.3 21V 1CT
Order product name	ELD 150W 21V 24PK
Pieces per pack	1
Packing configuration	24
Packs per outerbox	24
Bar code on pack - EAN1	8711500410603
Bar code on outerbox - EAN3	8711500419040
Logistic code(s) - 12NC	923921319894
Net weight per piece	23.000 gr

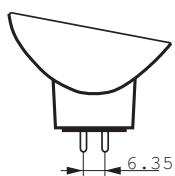
Dimensional drawing

Dimensional drawing



13158 150W GX5.3 21V 1CT

Product	C (Max)	D (Max)	L (Min)	L (Norm)	L (Max)
13158 150W GX5.3 21V	44.45	50.67	-	-	-



GX5.3



© 2013 Koninklijke Philips Electronics N.V.
All rights reserved.

Specifications are subject to change without notice. Trademarks are the property of Koninklijke Philips Electronics N.V. or their respective owners.

www.philips.com/lighting

2013, May 9
data subject to change