



Halogen reflector

13095 250W GY5.3 120V 1CT

Philips' halogen reflector lamps offer the ideal no-fuss solution for a wide variety of medical, projection and scientific illumination systems. Their proven reliability makes them ideal for retrofit installations. The burners are precisely aligned for optimal light performance. Dichroic reflectors ensure heat dissipation towards the back of the optical system, which helps the optical system remain within temperature limits. A special blue-filter version blocking out unwanted light above 700 nm is available for dental curing applications. In addition, you get all the proven advantages of halogen technology such as a CRI of 100 – the same as natural sunlight for the best possible color rendering. Halogen lamps also create a comfortable warm white light, and they maintain their high lumen output with almost no lumen reduction throughout their lifetime.

Product data

• General Characteristics

Philips Code	13095
ANSI Code	-
LIF Code	-
Cap-Base	GY5.3
Bulb Material	Quartz-UV Open
Reflector Finish	Facetted
Operating Position	s90
Main Application	Projection
Life to 50% failures	175 hr

• Light Technical Characteristics

Color Rendering Index	100 Ra8
Color Temperature Technical	3250 K
Luminous Flux Lamp	800 Lm

• Electrical Characteristics

Lamp Wattage	250 W
Voltage	120 V
Dimmable	Yes

• Luminaire Design Requirements

Pinch Temperature	350 (max) C
-------------------	-------------

Bulb Temperature	900 (max) C
Working Distance WD	152.4 mm

• Product Dimensions

Overall Length C	44.45 (max) mm
Diameter D	50.67 (max) mm
Filament Dimensions (WxH) [mm]	-

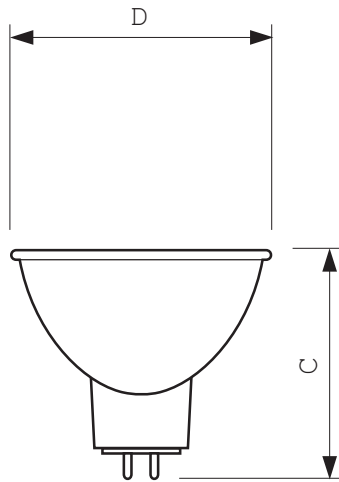
• Product Data

Order code	923921536394
Full product code	923921536394
Full product name	13095 250W GY5.3 120V 1CT
Order product name	13095 250W GY5.3 120V 1CT/24
Pieces per pack	1
Packing configuration	24
Packs per outerbox	24
Bar code on pack - EAN1	8711500410627
Bar code on outerbox - EAN3	8711500419064
Logistic code(s) - 12NC	923921536394
Net weight per piece	26.000 gr

Dimensional drawing

Halogen reflector

Dimensional drawing



GY5.3

13095 250W 120V

Product	C (Max)	D (Max)	L (Min)	L (Norm)	L (Max)
13095 250W GY5.3 120V	44.45	50.67	-	-	-



© 2013 Koninklijke Philips Electronics N.V.
All rights reserved.

Specifications are subject to change without notice. Trademarks are the property of Koninklijke Philips Electronics N.V. or their respective owners.

www.philips.com/lighting

2013, May 16
data subject to change