



7251C PX28s



13347W BA15d, 399N BA15s



7238N BA15s



13120C P30s



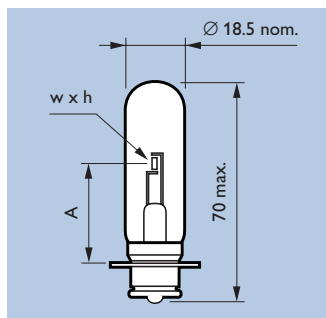
437E/00 E27

**Features**

Theatre lamps produce high luminous flux at closely-specified colour temperatures. Compact single-plane, biplane or linear filaments ensure tight beam control. There are lamps for axial or transversal mounting. The lamps with prefocus bases allow lamp replacement without adjustment. The burning position of Theatre lamps is base down  $\pm 15$  degrees, base down  $\pm 45$  degrees or base down  $\pm 135$  degrees.

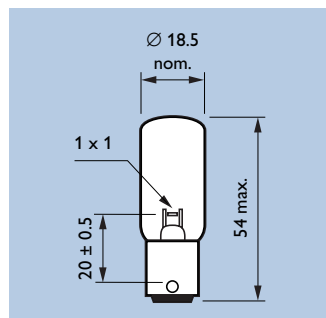
**Applications**

For applications see schedule.

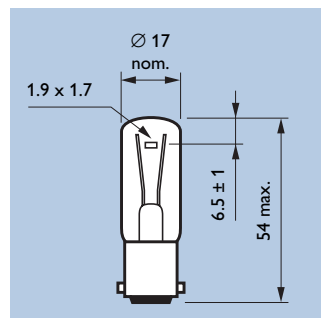


Dimensions in mm

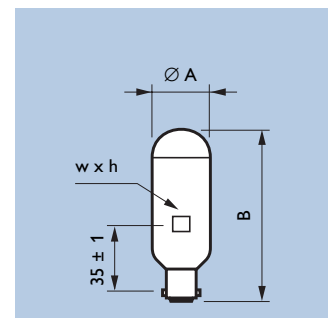
Type	A	w x h
Cap/base PX28s		
7251C	31.5 $\pm$ 0.5	0.6 x 6.5



399N BA15s

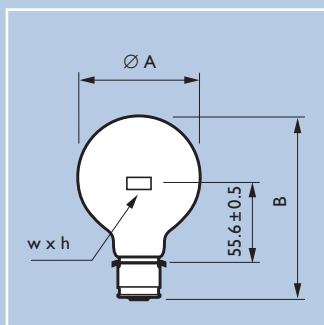


13347W BA15d

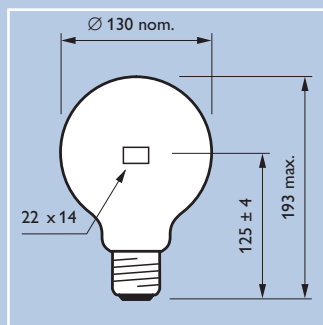


Type	A	B	w x h
	nom.	max.	
Cap/base BA15s			
7238N	30.0	78.0	4.6 x 2.6

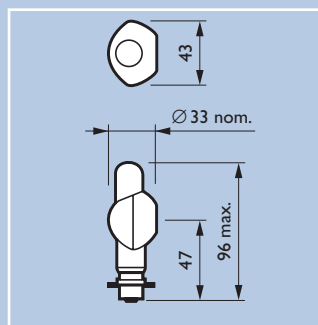
Type	Lamp Amp/Watt	Lamp voltage	Cap/ base	Finish	ANSI code	LIF code	Colour temperature	Lumen output	Average lamp life	Ordering number
		V					K	lm	h	
437C/01	500 W	220	P28s	SIDE MIRROR	-	-	3050	10500	70	9222 815 42900
559C	500 W	240	P28s	CLEAR	-	-	3000	9700	200	9223 471 45500
399N	0.5 A	12	BA15s	NA	-	-	-	78	100	9224 253 17100
7251C	4 A	5	PX28s	NA	-	G/41	-	260	1000	9224 470 08200
13347/W	15 W	6	BA15d	NA	-	M/20	-	210	100	9224 570 10100
13105B	100 W	6	B22d	NA	-	F/40	-	1950	100	9222 060 10100
13120C	50 W	8	P30s	ELLIPS MIRROR	CXL/CXR	A1/17	-	NA	25	9222 014 14500
7238N/05	100 W	12	BA15s	TOP MIRROR	BXT	A1/186	-	2800	20	9222 051 17100
13128G/01	1000 W	230	E40	SIDE MIRROR	-	-	-	26000	40	9218 601 44200
13129G/01	1000 W	230	E40	SIDE MIRROR	-	-	-	23000	100	9218 602 44200



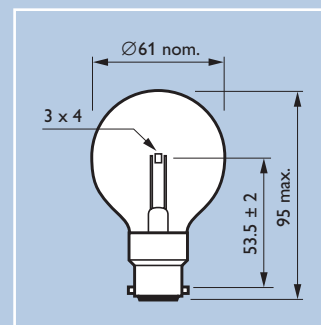
Dimensions in mm



13128G/01 13129G/01 E40

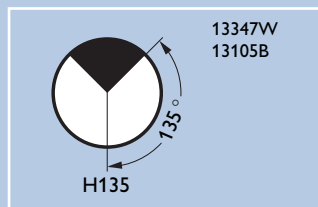
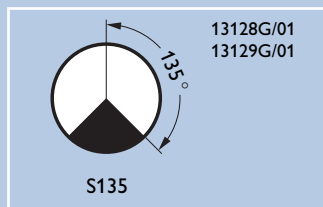
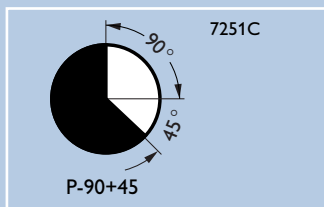
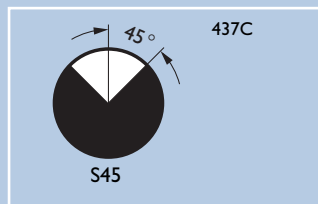
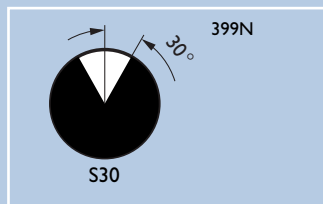
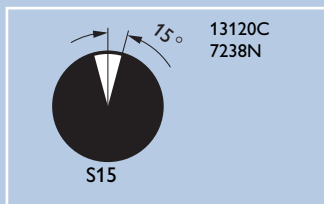


13120C P30s



13105B B22d

Type	A nom.	B max.	w x h
Cap/base P28s			
437C/01	80	125	17 x 12
559C	95	137	17 x 13



Burning positions

Application	437C/01	559C	399N	7251C	13347/W	13015B	13120C	7238N/05	13128G/01	13129G/01
Theatre lighting	•	•								
Episcopy and theatre	•	•								
Theatre downlighting	•	•								
Film & slide projectors	•	•					•	•	•	•
Sound film projectors			•	•	•	•				
Microscope illumination			•	•	•	•				
Scientific instruments			•	•	•	•				
Precision balances			•	•	•	•				
Optical equipment for industry and laboratory			•	•	•	•				
Photo-electric control devices			•	•	•	•				
Ophthalmic equipment			•	•	•	•				