



PAR38 120W E27 115V FL 30D 1CT

Product family description
Pressed-glass 121 mm diameter reflector lamps of high luminous intensity

Product Features

- Spot versions have a stippled front reflector producing a narrow, homogeneous beam
- Flood versions have a front refractor composed of prismatic elements

Product Benefits

- Produces the same useful light as conventional PAR lamps at 20% lower energy

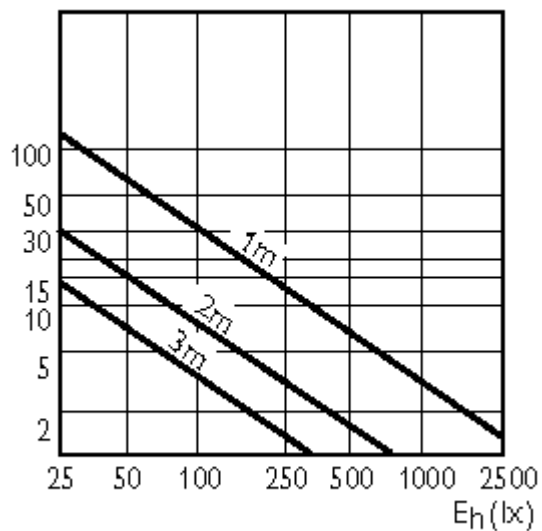
Application

- Can be used indoors and outdoors, or wherever blown-bulb reflector lamps would be too vulnerable

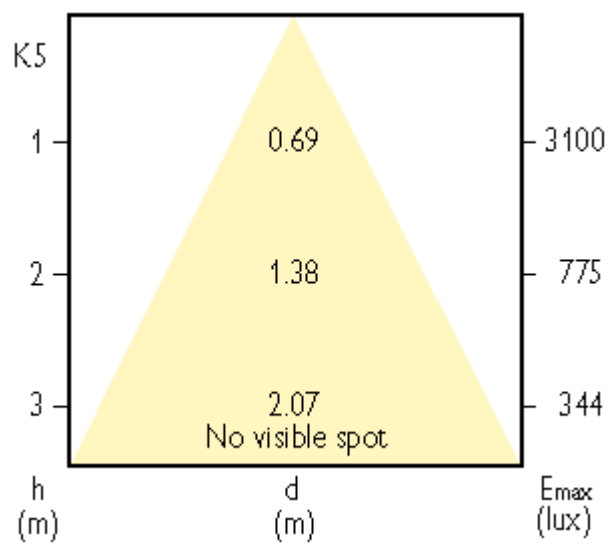
- Indoors: shops, window displays, homes, hotels, restaurants, theatres, museums, exhibitions and buildings
- Outdoors: floodlighting, advertising signs, buildings, statues, podiums, sports grounds, parks and gardens
- Can be installed outdoors without any protection, provided they are used in a watertight lampholder
- For outdoor use, a heat-resistant rubber ring must be fitted between the lamp and the lampholder

Product data	
Order code	045003 15
Full product code	871150004500315
Full product name	PAR38 120W E27 115V FL 30D 1CT
Order product name	PAR38 120W E27 115V FL 30D 1CT/12
Packing type	1 Lamp in a Folding Carton
Pieces per pack	1
Packing configuration	12
Packs per outerbox	12
Bar code on pack - EAN1	8711500045003
Bar code on intermediate packing - EAN2	
Bar code on outerbox - EAN3	8711500348753
Logistic code(s) - 12NC	9238 106 34403
ILCOS code	IPAR- 120- 115- E27- 121/30
Net weight per piece	0.308 (KG)
Successor order code	
Rated Lamp Wattage[W]	120W
Cap- Base	ES [ES]
Voltage[V]	115V
Beam Description	FL [Flood]
Beam Angle[D]	30D

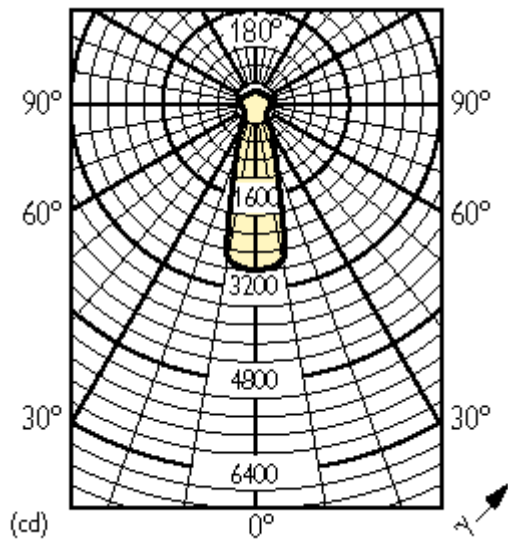
Product data	
Bulb	PAR38[PAR 38inch/ 121mm]
Burning Position	any[Any/Universal]
Average Lifetime[hr]	2000
Luminous Intensity[cd]	3400
Colour Rendering Index[Ra8]	100
Lamp Luminous Flux[Lm]	1340



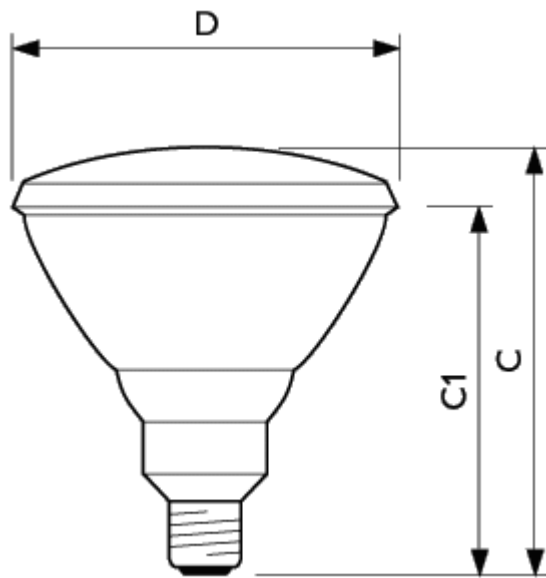
PAR38 120W FL



PAR38 120W FL



PAR38 120W FL



PAR38

	C	C1	D
Full product name	Max	Nom	Nom
PAR38 120W E27 115V FL 30D 1CT	137	123	121

