

64745 1000 W 240 V

Halogen studio lamps, single-ended



- Professional film and TV work
- Theater and concert stages
- Entertainment

Product features

- Operation at mains voltage: 120 V | 230 V | 240 V
- Color temperature: 3,000 K (with longer lifespan)
- Color temperature: 3,200 K (for professional film and TV work)

Technical data

Electrical data

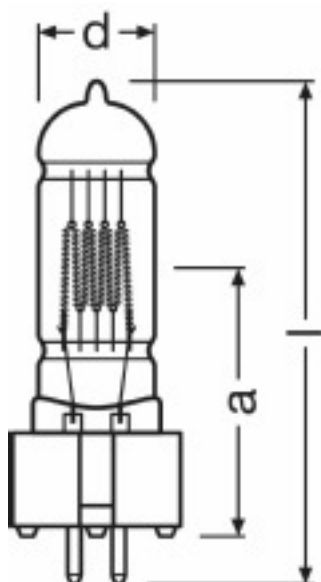
Nominal wattage	1000 W
Nominal voltage	240 V

Light technical data

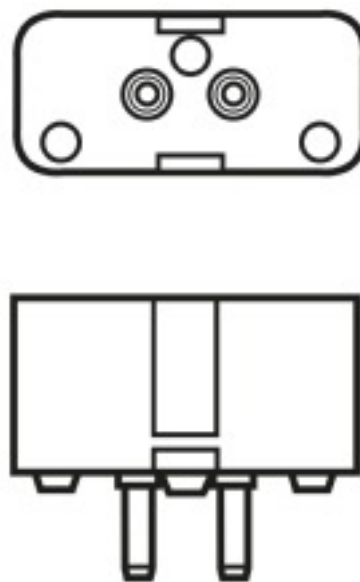
Luminous flux	26000 lm
Color temperature	3200 K

Dimensions & weight

Diameter	26.0 mm
Length	110.0 mm
Filament diameter	15.0 mm



Product line drawing



Base

Lifespan

Lifespan	200 h
----------	-------

Additional product data

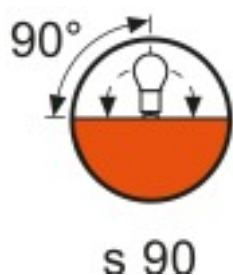
Base (standard designation)	GX9.5
Picto Studio	Yes

Country specific categorizations

Order reference	64745
-----------------	-------

Safety advice

To prevent personal injury or damage to property, halogen lamps may only be operated in suitable luminaires designed with suitable mechanisms (protective shields, grids, etc.) to ensure that in the event of a lamp bursting no parts/shards can escape and that during operation no ultraviolet radiation can escape. There must also be a warning sign to indicate that the lamps give off high levels of heat. Detailed information is available on request.



Burning position



Burning position

References / Links

A summary of studio lamps can be found on the halogen studio lamps poster.
For more information on halogen lamps for studio, stage and TV see the brochure:
"Good news for show business"
"Halogen High Voltage Lamps" cross reference list

Disclaimer

Subject to change without notice. Errors and omission excepted. Always make sure to use the most recent release.