



Product description: 64339 B 105-10
 Product code: 4008321105462
 Quantity: Folding carton box (FS) contains 1 Piece (PCE)

You can find this product in the eCatalog:

http://catalog.myosram.com?~language=EN&~country=COM&it_p=4008321105462

Capabilities				
Burning position	h45			
Additional product data				
Base (standard designation)	Leads w/female round connector			
Electrical data				
Nominal wattage	105 W			
Nominal current	6.6 A			
Dimensions & weight				
Diameter	50.4 mm			
Length with base excl. base pins/connect	48.00 mm			
Length	48.00 mm			
Lifespan				
Lifespan	1000 h			
Light technical data				
Axial luminous intensity	32000 cd			
Luminous intensity	30000 cd			
Packaging units				
Product code	Packaging type and content	Dimensions in h x w x l	Gross weight	Volume
4008321105462	Folding carton box contains 1 Piece	50,000 mm x 50,000 mm x 63,000 mm	36,250 g (0,000 g)	0,158 Cubic dec.
4008321105479	Shipping carton box contains 20 Piece	227,000 mm x 133,000 mm x 139,000 mm	777,800 g (0,000 g)	3,664 Cubic dec.

Safety

To prevent personal injury or damage to property, halogen lamps may only be operated in suitable luminaires designed with suitable mechanisms (protective shields, grids, etc.) to ensure that in the event of a lamp bursting no parts/shards can escape and that during operation no ultraviolet radiation can escape. There must also be a warning sign to indicate that the lamps give off high levels of heat. Detailed information is available on request. • For more information on airfield lamps see the brochure The Reliable Guiding Stars - Effective Solutions for Airfield Lighting: Tungsten Halogen Lamps and Innovative IRC Technology (122 D04 10/03) • All airfield lamps are available with connector combinations A, B, C/Z on request

Technical Information

No. DO 4728

Edition 07/08 - product details - subject to change

Supersedes 12/05

Status: valid

64339 B 105-10

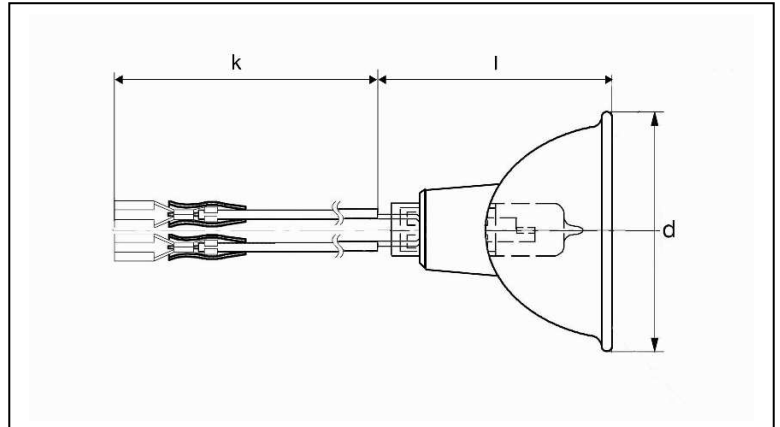
Tungsten Halogen Lamp
for Airfield Lighting

64339 A/AC/B/C




Product description

The 64339 A/AC/B/C is a tungsten halogen Lamp for the following applications:

Approach, runway and taxiway edge, threshold, touchdown zone, runway end, taxiway centre line and stopbar lights.



Technical data

Order reference		64339 A/AC/B/C 105-10
Maximum operation current	A	6.6
Connector	 A	female flat ¹
	 B	female round ²
	 C	male ³
Rated lamp wattage	W	105
Maximum initial wattage	W	115.5
Average life	h	1,000
Color temperature	K	3,300
Axial luminous intensity	cd	32,000
Minimum axial luminous intensity	cd	30,000
Axial luminous intensity after 750 h	cd	min. 75% of initial value
Reflector type		MR 16 parabolic reflector with durable dichroic coating
Reflector diameter (d)	mm	max. 50.4
Length (l)	mm	max. 48.0
Cable length (k)	mm	min. 125

Lamp operation

Burning position		horizontal
Maximum allowed pinch temperature	°C	350
Chromaticity		within white boundaries as defined in Annex 14 to the Convention of International Civil Aviation

¹ Female connector A complies with DIN 46247

² Female round connector B for Ø 4 mm pin

³ Male connector C complies with DIN 46248