

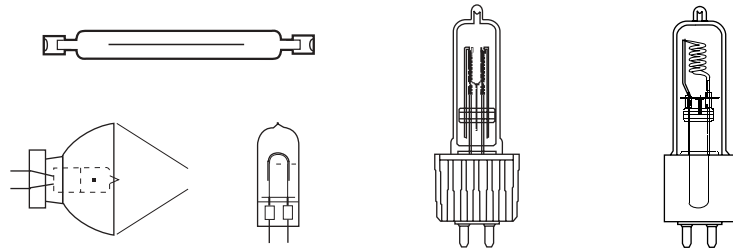
OSRAM BRAND PHOTO-OPTIC LIGHT SOURCES

Lighting to provide solutions in diverse applications such as effect lighting, stage, studio, TV, projection systems, microlithography, medical/scientific, industrial, and airfield/aircraft.

Photo-Optic Lamp Types

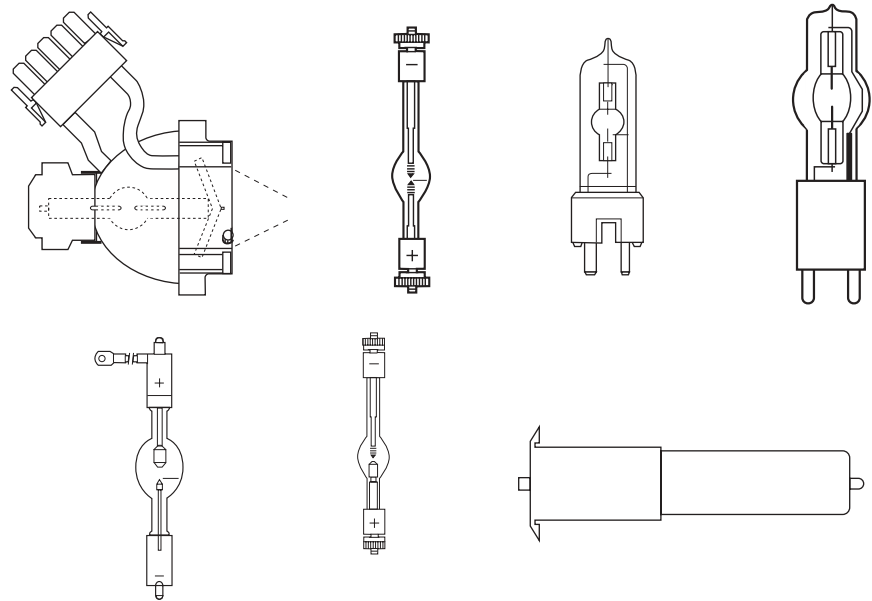
HALOGEN

- Airfield/Aircraft
- Audio Visual
- Special Purpose Heat Lamps
- Studio, Theatre, TV & Video
- HPL
- HPR™
- OSRAM STUDIOLINE®



DISCHARGE

- HBO®
- HMD®
- HMI®
- HMP®
- HSD®
- HSR®
- HTI®
- LINEX®
- VIP®
- XBO®
- XERADEX®



The following item was accepted into the 2003 IESNA Progress Report which recognizes innovative products introduced to the industry during that year.

LINEX Mercury-Free Xenon Fluorescent Systems

IMPORTANT! PHOTO-OPTIC WARNINGS

In accordance with ANSI/IESNA Standard RP-27, all Photo-Optic Discharge lamps are Risk Group 3 products, and all Photo-Optic Incandescent and Tungsten Halogen lamps are Risk Group 2 products.

Please read and understand the Safety and Warning Instructions for each lamp type before use. Safety and Warning Instructions can be found at the end of this Photo-Optic section.

AUDIOVISUAL

ANSI Code	Product Number	Ordering Abbreviation	Application	Watts	Volts	Base	Lumens	Avg Rated Life(hrs)	Bulb	Pkg Qty	Footnotes
	58941	235T4Q/2PPF	Medical Overhead Illumination	235	33	GZ9.5	5800	200	T4	12	
	76302	70335 BULK	Special Purpose	27	6	Special				200	
	76304	70314 (390153)	Special Purpose	25	6	P47D				100	
	76305	70313 (390158)	Special Purpose	30	6	P47D				100	
	76311	8013	Projector	10	6	BA15d		200		100	10
	76313	8017	Projector	15	6	DC Bayonet		1000		100	
	76314	8018	Projector	15	6	DC Bayonet		100		100	10,11
	76317	8025	Projector		6	BA20d		300		100	10
	76319	8029	Projector	60	15	BA20d		25		100	
	76321	8100	Projector		5	E14		600		100	
	76362	91645	Special Purpose	50	110	PY280				100	

STUDIO, THEATRE, TV & VIDEO

ANSI Code	Product Number	Ordering Abbreviation	Application	Watts	Volts	Base	Lumens	Avg Rated Life(hrs)	Bulb	Pkg Qty	Footnotes
BCM	54694	BCM	Stage & Studio	20000	230	G38	580000	350	T32	1	
BTL	54685	BTL	Stage & Studio	500	120	P28s	11000	750	T6	12	
BTM	54686	BTM	Stage & Studio	500	120	P28s	13000	100	T6	12	
BTN	54687	BTN	Stage & Studio	750	120	P28s	17000	500	T7	12	
BTP	54688	BTP	Stage & Studio	750	120	P28s	20000	200	T7	12	
BTR	54689	BTR	Stage & Studio	1000	120	P28s	27500	250	T6	12	
BVM	58638	BVM 64540	Stage & Studio	650	230	GX6.35	20000	15	T8	25	12
BVT	54690	BVT	Stage & Studio	1000	120	P40s	23000	500	T7	6	
BW	54691	BVW	Stage & Studio	1000	120	P40s	27500	200	T6	6	
BWW	54692	BVW	Stage & Studio	2000	120	P40s	59000	280	T9.5	6	
CXZ	54717	CXZ	Stage & Studio	1500	120	G38	38500	325	T8	6	
CYV	54706	CYV	Stage & Studio	1000	120	G38	27500	200	T7	6	
CYX	54613	CYX	Stage & Studio	2000	120	G38	55000	300	T9	6	
DNS/FMC	54655	DNS/FMC	Stage & Studio	500	120	P28s	11000	500	T6	24	
DNT/FMD	54658	DNT/FMD	Stage & Studio	750	120	P28s	17000	500	T7	24	10
DPY	54647	DPY	Stage & Studio	5000	120	G38	143000	500	T17	1	
DTA	54716	DTA	Stage & Studio	1500	120	P40s	39000	100	T8	6	
DTY	54696	DTY	Stage & Studio	10000	120	G38	290500	350	T24	1	
DWE	54500	DWE	Stage & Studio	650	120	Screw Term	24000	100	PAR36	12	
DWT	58937	DWT	Stage & Studio	1000	120	RX7s	22000	2000	T6	12	
DXW	53997	DXW	Stage & Studio	1000	120	R7s	28000	150	T5	12	13
EFX	54787	EFX	Stage & Studio	500	120	G22	10000	2000	T5	12	
EGE	54648	EGE	Stage & Studio	500	120	P28s	10000	2000	T5	12	
EGG	54652	EGG	Stage & Studio	750	120	P28s	15000	2000	T5	12	
EGJ	54654	EGJ	Stage & Studio	1000	120	P28s	25500	400	T6	12	
EGK	54656	EGK	Stage & Studio	1000	120	P28s	24500	400	T6	12	
EGN	54659	EGN	Stage & Studio	500	120	G22	13000	100	T6	12	