

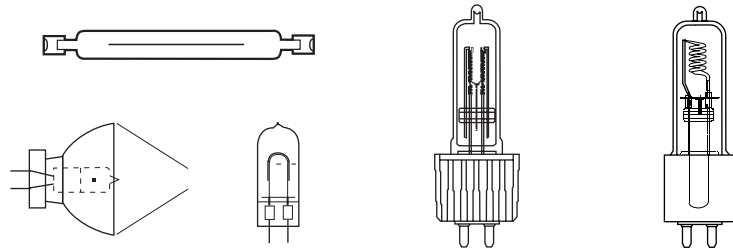
# OSRAM BRAND PHOTO-OPTIC LIGHT SOURCES

Lighting to provide solutions in diverse applications such as effect lighting, stage, studio, TV, projection systems, microlithography, medical/scientific, industrial, and airfield/aircraft.

## Photo-Optic Lamp Types

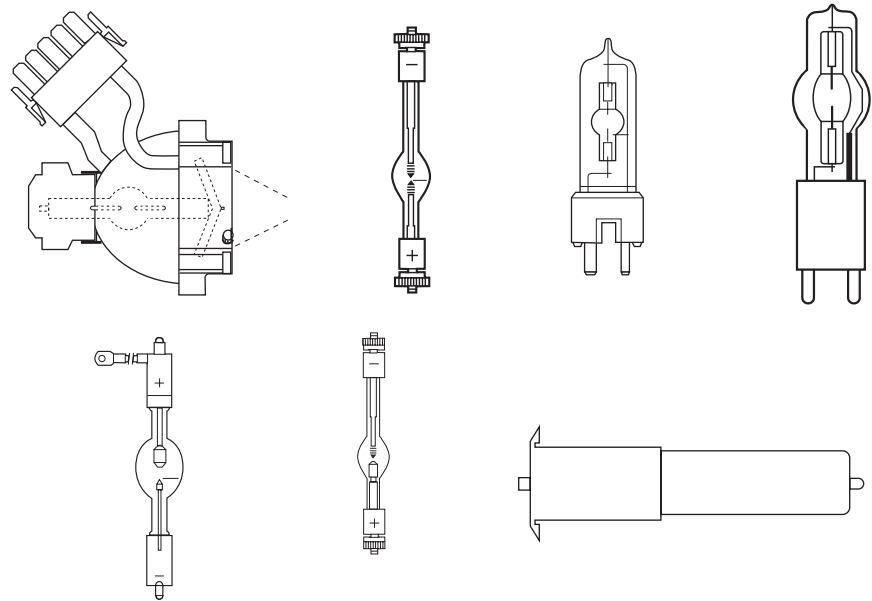
### HALOGEN

- Airfield/Aircraft
- Audio Visual
- Special Purpose Heat Lamps
- Studio, Theatre, TV & Video
- HPL
- HPR™
- OSRAM STUDIOLINE®



### DISCHARGE

- HBO®
- HMD®
- HMI®
- HMP®
- HSD®
- HSR®
- HTI®
- LINEX®
- VIP®
- XBO®
- XERADEX®



The following item was accepted into the 2003 IESNA Progress Report which recognizes innovative products introduced to the industry during that year.

LINEX Mercury-Free Xenon Fluorescent Systems

### IMPORTANT! PHOTO-OPTIC WARNINGS

In accordance with ANSI/IESNA Standard RP-27, all Photo-Optic Discharge lamps are Risk Group 3 products, and all Photo-Optic Incandescent and Tungsten Halogen lamps are Risk Group 2 products.

Please read and understand the Safety and Warning Instructions for each lamp type before use. Safety and Warning Instructions can be found at the end of this Photo-Optic section.

## AUDIOVISUAL

ANSI Code	Product Number	Ordering Abbreviation	Application	Watts	Volts	Base	Lumens	Avg Rated Life(hrs)	Bulb	Pkg Qty	Footnotes
EPX	54927	EPX	Projector - Microfilm	90	14	GX5.3	43	500	MR16	24	4
EPZ	54743	EPZ	Projector - Microfilm	50	14	GX5.3	80	3000	MR16	24	4
ERK	55050	ERK BULK	Projector	12	6	Wedge		150	T2.25	500	
ERM	55054	ERM BULK	Projector	7	6	Wedge		30	T2.25	500	
ESA/FHD	54025	ESA/FHD 64225	Projector	10	6	G4	200	100	T3	100	
ESB	54019	ESB 64250 HLX	Projector	20	6	G4	480	100	T3.5	100	
ETJ	54928	ETJ	Projector	250	120	GY5.3	600	175	MR16	24	4
EVA	54052	EVA 64623 HLX	Projector, Microfilm, Microscope, Studio	100	12	GY6.35	2800	2000	T4	100	
EVC	54047	EVC 64657 HLX	Projector, Microfilm, Microscope, Studio	250	24	G6.35	9000	300	T4	100	
EVD	54100	EVD 64663 HLX	Projector, Microfilm, Studio	400	36	G6.35	16000	50	T6	24	6
EVD	54103	EVD 64663 HLX BULK	Projector, Microfilm, Studio	400	36	G6.35	16000	50	T6	100	
EVW	54723	EVW	Projector	250	82	GY5.3	390	50	MR16	24	4
EXR	54392	EXR	Projector - Slide	300	82	GX5.3	925	35	MR13	24	4
EXR	54393	EXR BULK	Projector - Slide	300	82	GX5.3		35	MR13	100	4
EXW	54388	EXW	Projector - Slide	300	82	GX5.3	1050	15	MR13	24	4
EXY	54394	EXY	Projector - Slide	250	82	GX5.3	400	200	MR13	24	4
EYB	54446	EYB	Projector, Stage & Studio	360	82	G5.3	10000	75	T3.5	24	
EYB-5	54448	EYB-5	Projector, Microfilm, Stage & Studio	360	86	G5.3	10000	75	T3.5	24	
EYB-7	54455	EYB-7	Projector, Microfilm, Stage & Studio	360	88	G5.3	10000	75	T3.5	24	
EZE	54386	EZE	Projector, Stage & Studio	150	82	GX5.3	350	150	MR13	24	4
FBV	54568	FBV	Projector, Microfilm, Stage & Studio	250	30	E10	7000	6	T3	12	
FCR	54036	FCR 64625 HLX	Projector, Microfilm, Microscope, Studio	100	12	GY6.35	3600	50	T3.5	100	
FCS	54041	FCS 64640 HLX	Projector	150	24	G6.35	6000	50	T4	100	
FCS	54042	FCS 64640 HLX BULK	Projector	150	24	G6.35	6000	50	T4	250	
FDS/DZE	54055	FDS/DZE 64643	Projector, Microfilm, Microscope, Studio	150	24	GY9.5	5000	100	T4	30	
FDT 64628	54031	FDT 64628	Projector, Stage & Studio	100	12	GY9.5	3000	50	T4	30	
FDV	54054	FDV 64642 HLX	Projector, Microfilm, Microscope, Studio	150	24	G6.35	5000	300	T4	100	
FHS	54979	FHS	Projector - Slide	300	82	GX5.3	650	70	MR16	24	4
FKT/EYH	54547	FKT/EYH	Projector - Video Camera	250	120	G5.3	5400	200	T6	24	
FLE	54383	FLE	Projector	360	82	GY5.3	1250	75	MR16	24	4,7
FLT	54440	FLT	Projector - Video Camera, Microfilm	25	14	G4		500	MR11	24	8
FNS	58635	FNS 64512	Projector, Stage & Studio	300	120	GX6.35	9500	15	T5	25	
FNT	54044	FNT 64656PT HLX	Projector, Microfilm, Microscope, Studio	275	24	G6.35	10000	75	T4	100	