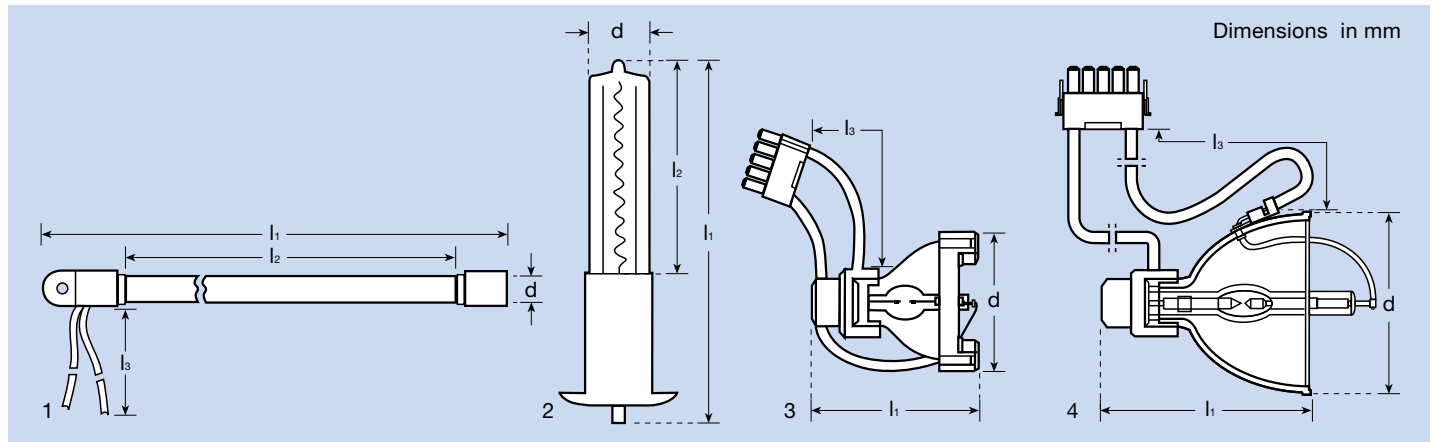


Technical data



Product reference	LINEX® A4-10W24	LINEX® A4-10A24	LINEX® A3-10W40	XERADEX® 20W	XERADEX® 100W
Fig. no.	1	1	1	2	2
Type of current	pulsed dc-current	pulsed dc-current	pulsed dc-current	pulsed dc-current	pulsed dc-current
Lamp wattage	24 W	24 W	40 W	20 W	100 W
VUV radiation power	–	–	–	8 W	40 W
Rated lamp current	1 A	1 A	1.7 A	–	–
Average life	4,000 h	4,000 h	4,000 h	–	–
Burning position	any	any	any	–	–
Colour temperature	5,600 K	–	5,600 K	–	–
Diameter d	11.5 mm	11.5 mm	11.5 mm	40 mm	40 mm
Length over all l ₁	277 mm	277 mm	375 mm	245 mm	700 mm
Bulb length l ₂	250 mm	250 mm	350 mm	120 mm	600 mm
Cable length l ₃	230 mm	230 mm	230 mm	–	–
Electrical connectors	Molex	Molex	Molex	–	–
Rated lamp voltage	< 3 kV	< 3 kV	< 3 kV	–	–
Lamp operating frequency	> 80 kHz	> 80 kHz	> 80 kHz	–	–
Illuminance	48,000 Lx ³⁾	N/A	80,000 Lx ³⁾	–	–
Inverter	QT LINEX 1x24/24	QT LINEX 1x24/24	QT LINEX 1x24/40	DBD-20-110/240 V	DBD-100-110/240 V

Product reference	HXP™ R 120W/45 C VIS	HXP™ R 120W/45 C UV	XBO® R 300W/60 C OFR
Fig. no.	3	3	4
Type of current	AC	AC	DC
Lamp wattage	120 W	120 W	300 W
Initial voltage range	65...95 V	65...95 V	14...19 V
Rated lamp current	1.4 A	1.4 A ¹⁾	16 A
Initial aperture lumens	2,450 lm ¹⁾	9 W ^{1) 2)}	2,350 lm ¹⁾
Average life	2,000 h	2,000 h	1,000 h
Burning position	p20	p20	p20
Colour temperature	approx. 9,000 K	N/A	approx. 6,200 K
Beam-to-axis angle	22°	22°	30°
Diameter d	67 mm	67 mm	82 mm
Length over all l ₁	max. 77 mm	max. 77 mm	max. 80 mm
Working distance	45 mm	45 mm	60 mm
Cable length l ₃	approx. 120 mm	approx. 120 mm	approx. 120 mm
Electrical connectors	AMP-plug	AMP-plug	AMP-plug

¹⁾ Light passing through a 5 mm aperture placed at working distance

²⁾ total radiation power in spectral interval 320 ... 500 nm

³⁾ at 8 mm distance

We should like to thank for allowing us to use pictures from Zeiss, Jena (title), Braun, Bahlingen/Baden (clean room) and Hermann Winkels GmbH, Horb (check machine for banknotes)

