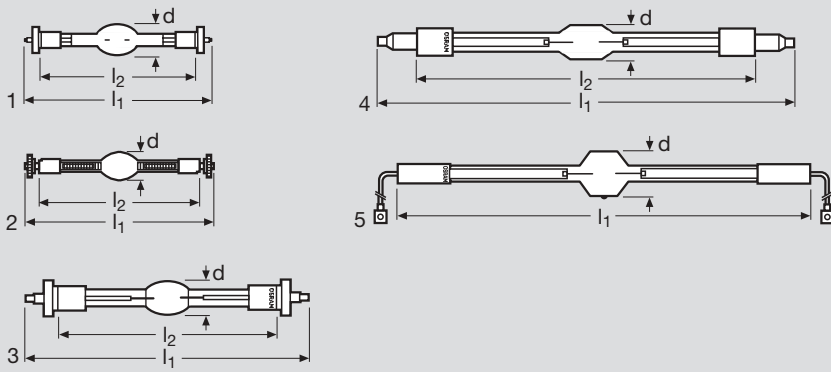


HMI®

Metal halide lamps



Product reference	Product number	W	V	A		lm	l_1 max. [mm]
HMI® Metal halide lamps, double ended, 6000 K							
HMI 575 W/GS XS	4050300575148	575	95	7.0 ~	SFc10	49000	135
HMI 1200 W/S XS ¹⁾	4050300480800	1200	100	13.8 ~	SFc10-4	110000	135
HMI 1200 W/GS	4050300239774	1200	100	13.8 ~	SFc15.5	110000	220
HMI 2500 W/GS	4050300302775	2500	115	25.6 ~	SFa21	240000	355
HMI 2500 W/S XS ¹⁾	4050300025780	2500	115	25.6 ~	SFa21	240000	210
HMI 4000 W/XS ²⁾	4050300216553	4000	200	24.0 ~	SFa21	380000	405
HMI 6000 W/XS	4050300304137	6000	123	55.0 ~	S25.5	570000	450
HMI 12000 W/XS	4050300857763	12000	160	84.0 ~	S30	1150000	470
HMI 18000 W/XS ²⁾	4050300296432	18000	225	88.0 ~	S30	1700000	500

Product reference	d [mm]	l_2 max. [mm]		t [h]		No.
HMI 575 W/GS XS	21	115	7	1000	any	1
HMI 1200 W/S XS ¹⁾	21	115	7	750	any	2
HMI 1200 W/GS	27	180	10	1000	any	3
HMI 2500 W/GS	31.5	290	14	500	p 30	4
HMI 2500 W/S XS ¹⁾	31.5	150	14	500	p 30	4
HMI 4000 W/XS ²⁾	36	340	34	500	p 15	4
HMI 6000 W/XS	54		21	500	p 15	5
HMI 12000 W/XS	64		25	500	p 15	5
HMI 18000 W/XS ²⁾	70		44	300	p 15	5

Supplied in single packs
 ~ = Sine-wave AC
 GS = Gap Shortened

W = Watt
 S = Short
 XS = eXtreme Seal (max. permissible foil temperature 450 °C)

Safety:
 Because HMI® lamps emit UV radiation and operate at overpressure those lamps (including the versions with an outer bulb) must be operated only in appropriate fully enclosed luminaires. Suitable filters should be used to ensure that the UV radiation is reduced to an acceptable level.

Literature:
 Further information can be found in the following brochures, obtainable on request from OSRAM:

- "Technology and applications/Metal halide lamps"
- "Guidelines for control gear and igniters for metal halide lamps"
- "Availability of control gear and igniters"
- "Rome. 8 pm. Overcast. No problem. HMI lamps"

1) Forced cooling required
 2) Supply voltage 380 V