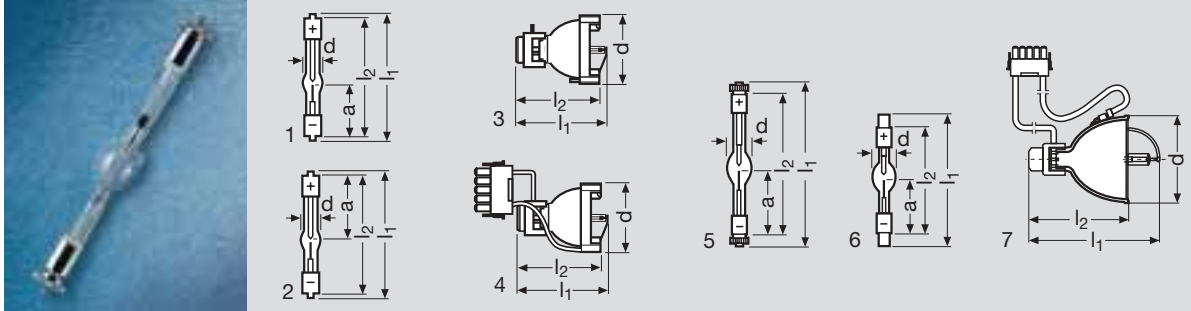


# XBO® Xenon short arc lamps



Product reference	Product number	W	V	A	lm	cd	cd/cm <sup>2</sup>	t[h]	t[h]			
XBO 75 W/2 <sup>2)</sup>	4050300508801	75	14	5.4	1000	100	40000	400	400	s105	-	-
XBO 100 W OFR	4050300508429	100	14	7.2	1900	270	31000	500	500	s105	-	requ.
XBO R 100 W/45 OFR <sup>3)4)</sup>	4050300317205	100	13	7.2	-	-	-	-	500	p15	-	-
XBO 150 W/1 <sup>2)5)</sup>	4050300015804	150	20	7.5	3000	300	15000	1200	-	s15	-	requ.
XBO 150 W/CR OFR	4050300508788	150	17.5	8.5	2900	290	20000	3000	1200	s15 p15	requ.	requ.
XBO 150 W/S	4050300220208	150	20	7.5	2200	220	18000	1000	800	s15 p15	requ.	requ.
XBO R 180 W/45 OFR <sup>3)4)</sup>	4050300432175	180	14	12	-	-	-	-	500	p15	-	-
XBO R 300 W/60 C OFR <sup>6)</sup>	4050300611129	300	17.5	17.1	-	-	-	-	500	p15	-	-

Product reference			d [mm]	l1 max. [mm]	l2 max. [mm]	a <sup>7)</sup> [mm]			
XBO 75 W/2 <sup>2)</sup>	-	-	0.25x0.5	10	90	82	SFa9-2	SFa7.5-2	1
XBO 100 W OFR	requ.	-	0.4x0.8	11	90	82	SFa9-2	SFa7.5-2	2
XBO R 100 W/45 OFR <sup>3)4)</sup>	requ.	-	-	67	83	77	-	-	3/4
XBO 150 W/1 <sup>2)5)</sup>	-	-	0.5x2.2	20	150	127	SFc12-4	SFcX12-4	5
XBO 150 W/CR OFR	requ.	-	0.5x1.6	20	150	127	SFc12-4	SFcX12-4	5
XBO 150 W/S	requ.	-	0.5x1.7	20	117	96	SFa12-11	SFa12-11	6
XBO R 180 W/45 OFR <sup>3)4)</sup>	requ.	-	-	67	90.5	81.5	-	-	3/4
XBO R 300 W/60 C OFR <sup>6)</sup>	requ.	-	-	82.5	110	80	-	-	7

OFR = Ozone free  
S = Short

W = Watt  
requ. = Required

XBO® are short arc lamps in which the discharge arc burns in an atmosphere of pure xenon gas at high pressure.

Their main characteristics and advantages are as follows:

- High luminance
- Daylight colour temperature of approx. 6000 K
- Continuous spectrum in the visible range
- High colour rendering index ( $R_a > 95$ )
- Constant colour appearance throughout the life of the lamp
- High arc stability
- DC operation
- Hot restart
- Almost full luminous flux immediately after ignition

### Literature:

Further information can be found in the following brochures, obtainable on request from OSRAM:

- "Ready for your ideas!" Specialty lamps for innovative applications in medicine and industry



1) For vertical burning position: anode (+) on top  
2) Also available in ozone-free version with the same data: XBO 75 W/2 OFR, XBO 150 W/1 OFR  
3) Lamp also available with connecting cable and plug contact. Product reference XBO R 100 W/45 C or XBO R 180 W/45 C

4) The focus lies 45 mm in front of the mounting rim on the lamp axis (working distance)  
5) Also available in Suprasil quartz version: XBO 150 W/4  
6) The focus lies 60 mm in front of the mounting rim on the lamp axis (working distance)  
7) Distance from end of base to tip of electrode (cold)