

NARVA “Made in Germany”

- More than 60 years experience in special lighting

NARVA has become a reliable partner due to experience gained over 60 years of manufacturing incandescent lamps. NARVA is able to offer customer specific solutions for special application like airfield lighting in a excellent quality. Even more the strong position as OEM supplier for automotive application opens the new founded company broad access to know which will be adapted for its airfield products too.

- History:
- 1948 Foundation Glühlampenwerk Plauen
 - 1957 Registration of brand NARVA
 - 1969 Start of halogen automotive lamp production
 - 1991 Philips Lighting took over Plauen factory
 - 1994 only OEM producer for selected products inside Philips
 - 1997 Start of airfield lamp production in Plauen
 - 2012 foundation of vosla GmbH and continue of NARVA brand for special lamps

NARVA offer an extensive range of halogen & standard incandescent bulbs specified for airfield runway and taxiway fixtures that fulfill FAA, ICAO and other national and international regulations. The high reliability guarantees long replacement cycles and low maintenance cost. All new products are designed under environmental friendly aspects (lead and mercury free).



NARVA lamps with longer life time - an innovative breakthrough

NARVA has successful developed a series of Pk30d, Bi-Pin and T10 lamps with extended lifetime. The specification allows for a simple exchange of current industry standard lamps with new NARVA lamps with longer life time.

NARVA lamps with longer life time offer following features and benefits:

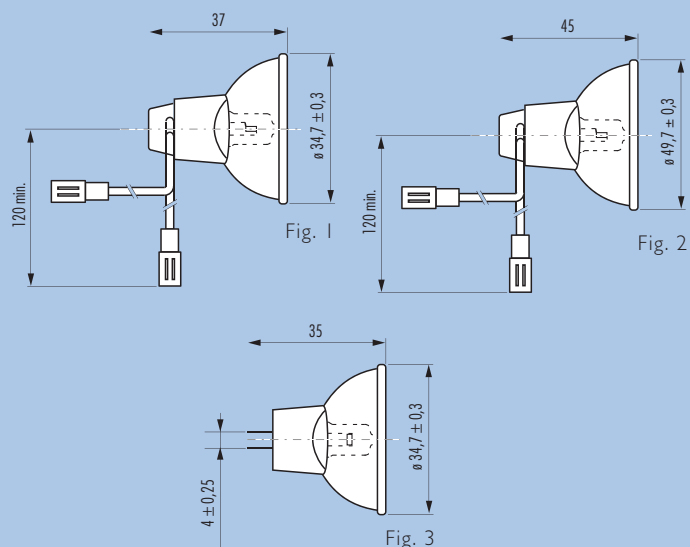
- Dichroic reflector 48W with 2500 hours
- Pk30d complete range available
- Bi-pin GZ9,5 available in 30W, 45W and 200W
- T10 halogen available in 30W and 45W
- 2000 hours average life vs. 1000 hours for standard range (at 6,6A)
- 50% higher life for 45W and 200W Bi-pin (at 6,6A)
- longer service intervals
- less maintenance costs
- environmental friendly product (lead and mercury free)

NARVA lamps with longer life time are definitely the perfect solution to secure longer replacement cycles and to improve the reliability of runway and taxiway lighting.

Halogen airfield lamps – Dichroic reflector



Dichroic reflector



Dimension in mm

Technical and ordering data

Type	Current A	Wattage W	Base	axial light intensity kcd	Average life hrs.	Fig.	Ordering number
6144	6,6	30	cable flat female connector ³⁾	min. 16	1000	2	58334
6137	6,6	35	GZ4	min. 4,5	1500	3	58314
6102	6,6	40	cable round female connector ¹⁾	min. 10,5	1500	1	58302
6104	6,6	40	cable flat male connector ²⁾	min. 10,5	1500	1	58303
6110	6,6	40	cable flat female connector ³⁾	min. 10,5	1500	1	58301
6145LL	6,6	45	cable flat female connector ³⁾	min. 19,0	2500	2	58381
6146LL	6,6	45	cable round female connector ¹⁾	min. 19,0	2500	2	58382
6101LL	6,6	48	cable flat female connector ³⁾	min. 20,0	2500	2	58304
6106LL	6,6	48	cable flat male connector ²⁾	min. 20,0	2500	2	58305
6107LL	6,6	48	cable round female connector ¹⁾	min. 20,0	2500	2	58306
6109	6,6	48	cable round female connector ¹⁾	min. 23,0	1000	2	58309
6143	6,6	48	cable flat female ⁶⁾	min. 23,0	1000	2	58333
6138	6,6	48	cable flat male / female connector ⁵⁾	min. 25,0	500	2	58317
6141	6,6	62	cable flat female connector ^{1) 4)}	-	1500	2	58335
6142	6,6	62	GX5,3	-	1500	-	58336
6103	6,6	105	cable round female connector ¹⁾	min. 30,0	1000	2	58307
6105	6,6	105	cable flat female connector ³⁾	min. 30,0	1000	2	58308
6108	6,6	105	cable flat male connector ²⁾	min. 30,0	1000	2	58310

¹⁾ 4 mm diameter

²⁾ flat male connector, complying with DIN 46248

³⁾ flat female connector, complying with DIN 46247

⁴⁾ 16" cable length

⁵⁾ with 60 mm sleeve

⁶⁾ with rectangular female connector

Round female connector



Flat male connector



Flat female connector

