




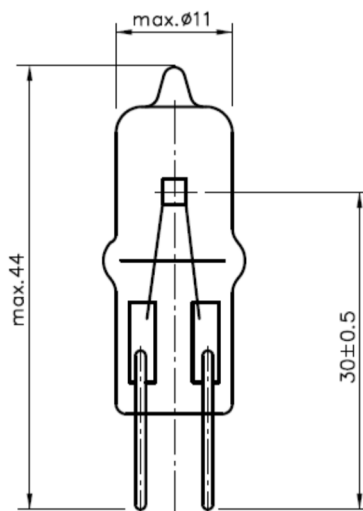
Medical

	Type 55211 12V 50W G6,35
	Ordering - No. 55211
Product Description	Special Halogen Lamp
Features	Quartz Bulb, Exactly positioned Filament
Applications	Medical, Microscope, Analysis

Technical Details

ANSI	BRL / BCD
Rated Voltage (V)	12
Wattage (W)	max. 56
Luminous Flux (lm)	1500 ± 20%
Average Lifetime (h)	50
Base	G6,35
Overall Length (mm)	max. 44
Bulb Diameter (mm)	max. 11,0
Light Center Length (mm)	30 ± 0,5
Operating Position	s90
Packaging Configuration	100 pcs.
Environmental Remark	Product don't contain lead or mercury and is conform with Directive 2002/95/EC "Restriction of the use of certain hazardous substances in electrical and electronic equipment".

Drawing (in mm)



valid from	052.12.2016—V1—PN16/0424
replace for	-
file	55211.100.pdf