




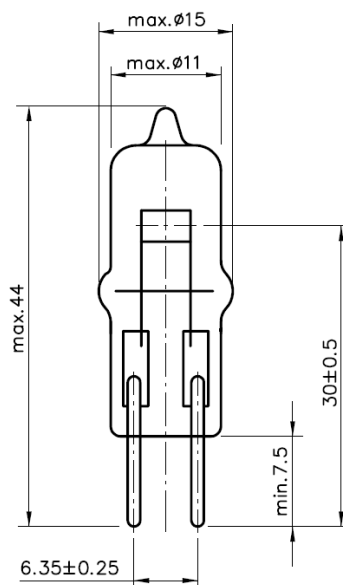
Medical

	Type SH5931 12V 100W GY6,35
	Ordering - No. 55931
Product Description	Special Halogen Lamp
Features	Quartz Bulb, Exactly positioned Filament
Applications	Medical, Microscope, Analysis

Technical Details

Type	SH5931
Rated Voltage (V)	12
Wattage (W)	max. 110
Luminous Flux (lm)	3000 - 12%
Average Lifetime (h)	50
Base	GY6,35 - 15
Overall Length (mm)	max.44,0
Bulb Diameter (mm)	max. 11,0
Light Center Length (mm)	30 ± 0,5
Packaging Configuration	100 pcs.
Environmental Remark	Product don't contain lead or mercury and is conform with Directive 2002/95/EC "Restriction of the use of certain hazardous substances in electrical and electronic equipment".

Drawing (in mm)



valid from	05.03.2014—V2—PN14/0072
replace for	29.01.2013—V1
file	55931.100.pdf