

Features

- Purpose-designed for law enforcement, self-defense and outdoor applications.
- The world's first line of flashlights to feature third generation SSR (smart selector ring) technology
- Smoothly and rapidly select brightness levels and function by rotating a smart selector ring
- Utilizes the latest CREE XM-L (XM-L2 T6) LED for a maximum output of up to 550 lumens
- Second generation of 'Crystal Coating Technology' along with 'Precision Digital Optics Technology' provide extreme reflector performance
- Boasts a peak beam intensity of 4,500cd and a throw distance of up to 134 meters (ANSI FL1)
- High efficiency circuit board provides up to 200 hours runtime on lowest output level
- Equipped with unique multi-colored (red and blue) tactical / signaling lights
- Infinite brightness adjustment from 0.1 to 550 lumens
- Six rapidly switchable functions to select from
- Reverse polarity protection
- Stainless steel titanium-plated clip
- Stainless steel retaining ring protects core components from damage
- Toughened ultra-clear mineral glass with anti-reflective coating
- Constructed from aero grade aluminum alloy
- Robust HAIII military grade hard-anodized
- Waterproof in accordance with IPX-8 (two meters submersible)
- Impact resistant to 1.5 meters
- Tail stand capability

Dimensions

Length: 100mm (3.9")
 117mm (4.6")(with AA extension tube)
 Head diameter: 25.4mm (1")
 Tube diameter: 24.3mm (0.96")
 Weight: 73g (2.57oz)(without battery)
 87g (3.07oz)(with AA extension tube)
 (without battery)

Accessories

Quality holster,
 removable clip,
 AA extension tube,
 lanyard, spare tail cap
 button and spare O-ring

Battery Options

| | SIZE | Nominal voltage | Compatible |
|------------------------------|--------|-----------------|-----------------|
| Primary Lithium battery | CR123 | 3V | Y (Recommended) |
| Rechargeable Lithium battery | RCR123 | 3.7V | Y (Recommended) |

With AA extension tube:

| | SIZE | Nominal voltage | Compatible |
|-----------------------------|-------|-----------------|-----------------|
| Primary AA battery | AA | 1.5V | Y (Recommended) |
| Rechargeable AA battery | AA | 1.2V | Y (Recommended) |
| Rechargeable Li-ion battery | 14500 | 3.7V | Y (Recommended) |
| Primary AA Lithium battery | L91 | 1.5V | Y |
| Primary LiFePO4 battery | 14500 | 3.2V | Y |

Output & Runtime

| FL 1 STANDARD | 1 x NL166(RCR123) | | 1 x CR123 | | 1 x AA | |
|---------------|--|----------------|---------------------------------|----------------|---------------------------------|----------------|
| | TURBO | LOWER | TURBO | LOWER | TURBO | LOWER |
| | 550* LUMENS | 0.1* LUMENS | 330* LUMENS | 0.1* LUMENS | 180* LUMENS | 0.1* LUMENS |
| | 45min | 150h | 1h 15min | 200h | 1h | 200h |
| | 134m (Beam Distance) | | 105m (Beam Distance) | | 79m (Beam Distance) | |
| | 4500cd (Peak Beam Intensity) | | 2800cd (Peak Beam Intensity) | | 1550cd (Peak Beam Intensity) | |
| | 1.5m (Impact Resistant) | | | | | |
| | IPX-8, 2m (Waterproof AND Submersible) | | | | | |

NOTICE

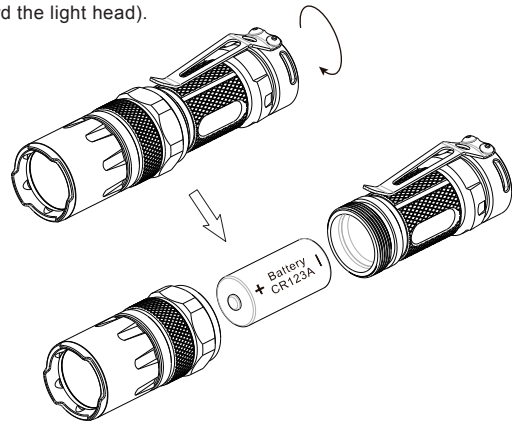
The above data has been measured in accordance with the international flashlight testing standards ANSI/NEMA FL1 using one x 3.7V 650mAh Nitecore RCR123 battery, one x 3V 1550mAh Nitecore CR123 battery and one x 1.2V 2500mAh AA battery under laboratory conditions. The data may vary slightly during real-world use due to battery type, individual usage habits and environmental factors.

*Infinite brightness adjustment varies from 0.1 to 550 lumens and is manually adjusted by rotation of the Smart Selector Ring. Subsequently, runtimes will vary anywhere from 45 minutes to 150 hours depending on chosen level of output.

NITECORE (SYSMAX) is a member of PLATO, participating in and helping to develop the ANSI/NEMA FL1 standard of measurement. Product testing data is in accordance with these internationally recognized scientific standards.

Battery Installation

Insert one (R)CR123 battery with the positive pole pointing forward (toward the light head).



NOTE:

1. Ensure batteries are inserted with the positive (+) end pointing to the head. The SRT3 will not operate with incorrectly inserted batteries.
2. Please do NOT light directly to the eyes, which will hurt the eyes.

Switching ON/OFF

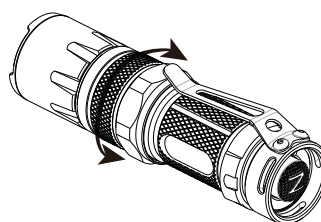
To switch ON: Press the button on the tailcap until a "click" is heard.
 To switch OFF: Press the button on the tailcap a second time until a "click" is heard.

Momentary Illumination

Momentary illumination can be achieved by switching the flashlight off and then half pressing and holding the tail switch. Release switch to turn the light off.

Adjusting Output

With the light turned on, slowly rotate the Smart Selector Ring (adjacent to the bezel) in a counter-clockwise direction to cycle through the following brightness levels: beacon -> SOS -> police warning signal -> blue mode -> red mode -> lower mode -> infinite brightness modes -> turbo mode -> strobe mode. These modes may be cycled through in reverse by rotating the Smart Selector Ring in a clockwise direction.



NITECORE®

ALL-ROUND Flashlight Expert

Note: When using the SRT3 in infinite brightness mode, runtime will increase when lower levels of output are selected.

NB:

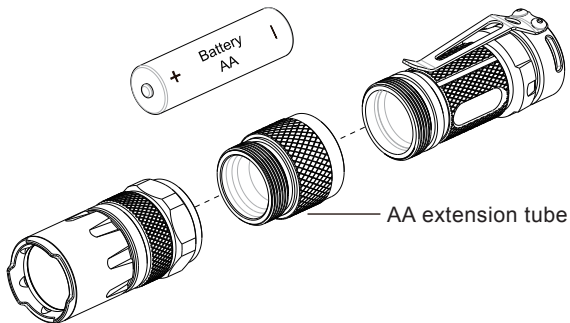
For user safety and to prevent overheating / failure, the SRT3 will automatically switch to high mode after three minutes of use in Turbo mode. Slowly rotate the Smart Selector Ring or press the tail switch again to reactivate turbo mode when needed.

Maintenance

Every 6 months, threads should be wiped with a clean cloth followed by a thin coating of silicon-based lubricant.

Using AA extension tube

The SRT3 can utilize one AA extension tube. Please follow the diagram to assemble the body, and you can use one AA battery to power the light.



Warranty Service

All NITECORE® products are warranted for quality. DOA / defective products can be exchanged for replacement through a local distributor/dealer within the 14 days of purchase. After 14 days, all defective / malfunctioning NITECORE® products will be repaired free of charge for a period of 18 months from the date of purchase. After 18 months, a limited warranty applies, covering the cost of labor and maintenance, but not the cost of accessories or replacement parts. The warranty is nullified in all of the following situations:

1. The product(s) is/are broken down, reconstructed and/or modified by unauthorized parties.
2. The product(s) is/are damaged through improper use.
3. The product(s) is/are damaged by leakage of batteries.

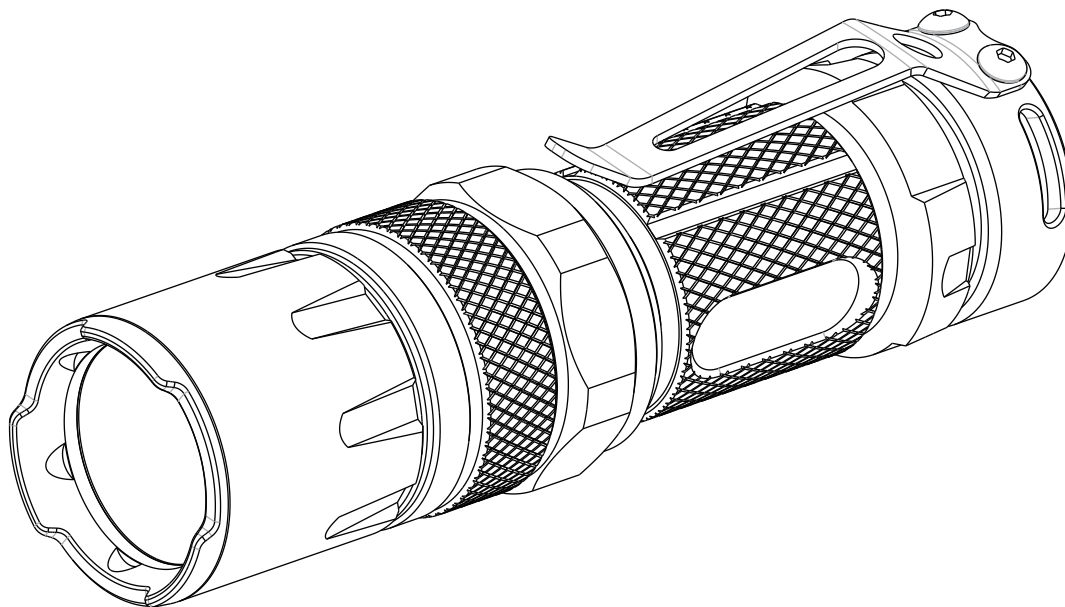
To guarantee a swift and effective customer service, Nitecore suggest you to contact the point of purchase for assistance.

For the latest information on NITECORE® products and services, please contact your national NITECORE® distributor or send an email to service@nitecore.com

The Nitecore official website shall prevail in case of any product data changes.



Please follow our facebook for more info: **NITECORE Flashlights**



SYSMAX Ind.

SYSMAX Industry Co., Ltd.

TEL: +86-20-83862000

FAX: +86-20-83882723

E-mail: info@nitecore.com

Web: www.nitecore.com

Address: Rm1407-08, Glorious Tower, 850 East Dongfeng Road, Guangzhou, China 510600

20130608



Thanks for purchasing NITECORE!