

## Features

- Premium CREE XP-G2 (R5) LED
- Maximum output of 430 lumens
- Integrated "Precision Digital Optics Technology" provides extreme reflector performance
- Boasts a peak beam intensity of 19,321cd and a throw distance of up to 278 meters
- High efficiency circuit board provides up to 520 hours runtime
- Side switch interface provides one-handed operation and easy access to all flashlight functions
- Side switch features a power indicator light displays remaining battery power (patented)
- Power indicator's secondary function displays battery voltage (accurate to 0.1V)
- Intelligent memory function stores preferred brightness setting
- Integrated impact resistance mechanism with reverse polarity protection (patented)
- Flashlight head retaining ring protects the core components from damage
- Toughened ultra-clear mineral glass with anti-reflective coating
- Constructed from aero grade aluminum alloy with HAIII military grade hard-anodized finish
- Waterproof in accordance with IPX-8 (two meters submersible)
- Impact resistant to 1.5 meters
- Stainless steel titanium-plated two-way clip included
- Tail stand capability

## Dimensions

Length: 151mm (5.94")  
 Head Diameter: 40mm (1.57")  
 Tail Diameter: 25.4mm (1")  
 Weight: 132grams (4.66oz)(without battery)

## Accessories

Quality holster, clip, tactical lanyard, lanyard, spare tail cap, spare O-ring

## Battery Options

	SIZE	Nominal voltage	Compatible
Primary Lithium battery	CR123	3V	Y (Recommended)
18650 Rechargeable Li-ion battery	18650	3.7V	Y (Recommended)
Rechargeable Li-ion battery	RCR123	3.7V	Y

## Brightness & Runtime

FL1 STANDARD	HIGH	MID	LOW	LOWER
	430 LUMENS	150 LUMENS	35 LUMENS	1 LUMENS
	2h15min	8h15min	37h	520h
	1h45min	6h30min	31h	310h
	278m (Beam Distance)			
	19321cd (Peak Beam Intensity)			
	1.5m (Impact Resistant)			
	IPX-8, 2m (Waterproof AND Submersible)			

### NOTICE

The above data has been measured in accordance with the international flashlight testing standards ANSI/NEMA FL1 using one x 3.7V 2600mAh Nitecore 18650 battery and 2 x 3V 1550mAh Nitecore CR123 batteries under laboratory conditions. The data may vary slightly during real-world use due to battery type, individual usage habits and environmental factors.

NITECORE (SYSMAX) is a member of PLATO, participating in and helping to develop the ANSI FL1 standard of measurement. Product testing data is in accordance with these internationally recognized scientific standards.

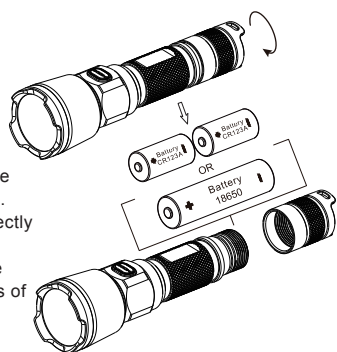
## Operation instructions

### Battery installation

Insert one 18650 battery or two CR123 batteries with the positive pole pointing forward (toward the light head).

### WARNING

1. Ensure batteries are inserted with the positive (+) end pointing to the head. The P15 will not operate with incorrectly inserted batteries.
2. Ensure when turning the P15 on, the beam is directed away from the eyes of people or animals.



## Momentary illumination

Momentary illumination can be achieved by switching off the flashlight and then half pressing and holding the tail switch. Simply release the switch to turn the light off.

## Switching ON/OFF

To switch ON: Press the button on the tailcap until a "click" is heard.

To switch OFF: Press the button on the tailcap a second time until a "click" is heard.

## General Operations

With the light turned on, press the side switch in quick succession to cycle through the following brightness levels: ultra-low, low, medium and high. Once a desired setting is displayed, it may be saved by turning the light off at the tail switch.

**Note:** For user safety and to prevent overheating / failure, the P15 will automatically switch to a lower mode after three minutes of use at its highest level of output.

## Special Modes

With the light turned on, press and hold the side switch to activate Strobe mode. Press and hold once again to access Location Beacon mode and repeat once more for SOS mode. To exit any one of these modes simply press the side switch to be returned to your previously used brightness level.

**NB:** Strobe mode is the default special mode and is the only special mode that has a memory function. If the light is turned off at the tail switch while in strobe mode, strobe will resume when the light is next turned on. SOS and Location Beacon modes have no memory function.

## Power Tips

1. With the light switched on, the power indicator will blink once every two seconds when power levels reach 50%.
2. With the light switched on, the power indicator will blink rapidly when power levels are low.
3. With the light turned off, press and hold the side switch while simultaneously pressing the tail switch to display the battery voltage (accurate to ±0.1V) with a series of blinks. For example, when the battery voltage is at a maximum charge of 4.2V, the power indicator will blink 4 times in quick succession, followed by a one second pause and two more blinks, indicating a total battery voltage of 4.2V.

## Changing Batteries

When the power indicator blinks rapidly this indicates the batteries need to be replaced. Alternatively if the light becomes dim or unresponsive to adjustment this also indicates batteries need to be replaced.

## Maintenance

Every 6 months, threads should be wiped with a clean cloth followed by a thin coating of silicon-based lubricant.

## Warranty Service

All NITECORE® products are warranted for quality. DOA / defective products can be exchanged for replacement through a local distributor/dealer within the 14 days of purchase. After 14 days, all defective / malfunctioning NITECORE® products will be repaired free of charge for a period of 18 months from the date of purchase. After 18 months, a limited warranty applies, covering the cost of labor and maintenance, but not the cost of accessories or replacement parts. The warranty is nullified in all of the following situations:

1. The product(s) is/are broken down, reconstructed and/or modified by unauthorized parties.
2. The product(s) is/are damaged through improper use.
3. The product(s) is/are damaged by leakage of batteries.

For the latest information on NITECORE® products and services, please contact your national NITECORE® distributor or send an email to [service@nitecore.com](mailto:service@nitecore.com)

The Nitecore official website shall prevail in case of any product data changes.

**SYSMAX ind.**  
 SYSMAX Industry Co., Ltd.  
 TEL: +86-20-83862000  
 FAX: +86-20-83882723  
 E-mail: [info@nitecore.com](mailto:info@nitecore.com)  
 Web: [www.nitecore.com](http://www.nitecore.com)  
 Address: Rm1407-08, Glorious Tower, 850 East Dongfeng Road, Guangzhou, China 510600

Please follow our facebook for more info: NITECORE Flashlights!

