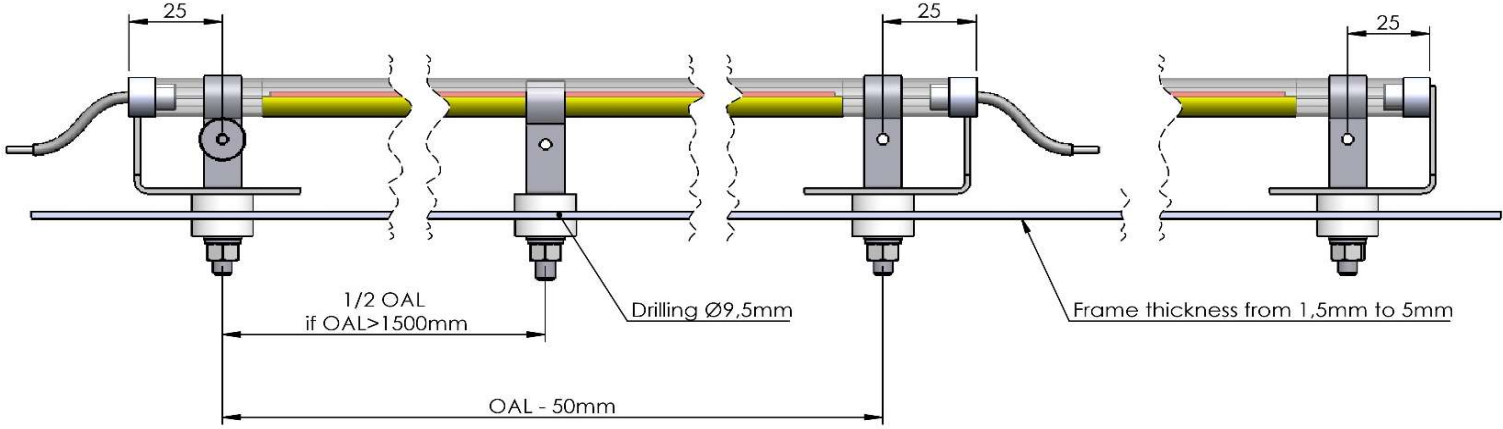


Medium Wave Holder TwinTube 11 x 23 installation note

Type C-D-F-H-J

Type A-B-E-G-K-L



	<p>2BAR006 Holder Twin 11x23 with stopper</p> <hr/> <p>End holder</p> <p>1 by emitter</p>		
	<p>2BAR015 Holder Twin 11x23 stopper only</p> <hr/> <p>End holder</p> <p>1 by emitter</p>		
	<p>2BAR003 Holder Twin 11x23 with screw only</p> <hr/> <p>Middle holder</p> <p>1 by emitter if OAL > 1500mm</p>		
	<p>2BAR002 Holder Twin 11x23 without screw</p> <hr/> <p>Middle holder</p> <p>1 by emitter if OAL > 1500mm</p>		