



# MSR Short Arc

## MSR 400 SA 1CT

The lamp's short arc and compact design helps enable a compact luminaire that provides high beam intensity, while the excellent color rendition characteristics help ensure optimal colors on stage. The highly innovative P3 technology, developed by Philips, allows MSR Short Arc lamps to be used at higher temperatures in any burning position. The result? Longer lifetime, fewer early failures and a highly consistent performance throughout the lamp's lifetime.

### Product data

#### • General Characteristics

System Description	Short Arc
Cap-Base	GY9.5
Cap-Base Information	-
Execution	-
Operating Position	any
Main Application	Studio/Disco
Life to 50% failures	750 hr
EM	

#### • Light Technical Characteristics

Color Code	-
Color Rendering Index	75 Ra8
Color Temperature	5600 K
Color Temperature Technical	5662 K
Chromaticity Coordinate X	330 -
Chromaticity Coordinate Y	342 -
Luminous Flux Lamp EM	23500 (min), 30000 (nom) Lm
Luminous Efficacy Lamp EM	75 Lm/W

#### • Electrical Characteristics

Lamp Wattage	400 W
Lamp Wattage Technical	400 W
Lamp Current	8.4 A

Ignition Supply Voltage	207 (min) V
Dimmable	No

#### • Luminaire Design Requirements

Pinch Temperature	500 (max) C
Bulb Temperature	1000 (max) C

#### • Product Dimensions

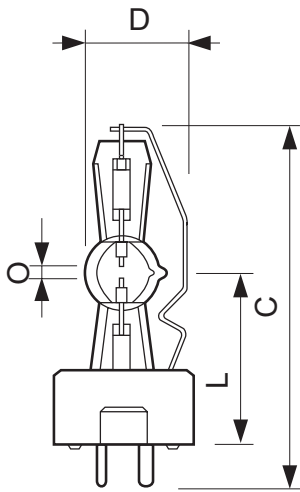
Overall Length C	80 (max) mm
Diameter D	23.5 (max) mm
Light Center Length L	36 (min), 36.5 (nom), 37 (max) mm
Arc Length O	3.0 mm

#### • Product Data

Order code	928170205114
Full product code	928170205114
Full product name	MSR 400 SA 1CT
Order product name	MSR 400 SA 1CT/40
Pieces per pack	1
Packing configuration	40
Packs per outerbox	40
Bar code on pack - EAN1	8727900924213
Bar code on outerbox - EAN3	8727900924220
Logistic code(s) - 12NC	928170205114
Net weight per piece	0.019 kg

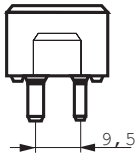
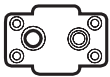
**PHILIPS**

## Dimensional drawing



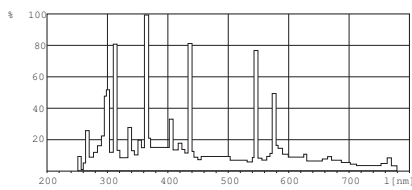
### MSR 400 SA 1CT

Product	A (Min)	A (Norm)	A (Max)	C (Max)	D (Max)	D1 (Norm)	F (Min)	F (Norm)	F (Max)	L (Min)	L (Norm)	L (Max)	O (Norm)
MSR 400 SA	-	-	-	80	23.5	-	-	-	-	36	36.5	37	3.0

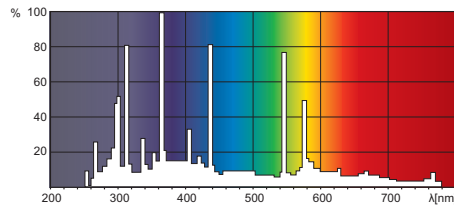


GY9.5

## Photometric data



MSR Short Arc



MSR Short Arc



© 2013 Koninklijke Philips N.V. (Royal Philips)  
All rights reserved.

Specifications are subject to change without notice. Trademarks are the property of Koninklijke Philips N.V. (Royal Philips) or their respective owners.

[www.philips.com/lighting](http://www.philips.com/lighting)

2013, October 9  
data subject to change