



## MASTERLine ES 35W GU5.3 12V 8D 1CT

Product family description  
 MASTER dichroic coated low-voltage  
 halogen reflector lamp with EcoBoost  
 technology  
 Most energy-efficient dichroic lamp on the  
 market

### Product Features

- Unique Philips patented infrared-coated single-ended burner by using EcoBoost technology with 40% higher efficiency than standard products
- Heat-reflecting coating on the inner lamp burner reflects waste heat back to the filament so less energy is needed to operate the lamp
- Revolutionary compact and precision-shaped single-ended burner and high-performance coating for maximum lamp performance
- Bright, sparkling white halogen light
- Excellent colour rendering
- Extreme long average rated life
- GU5.3 base for extra retention in luminaire
- Complex reflector design for excellent beam performance
- Range of energy saving wattages designed to replace the higher standard wattages

### Product Benefits

- Lowest possible energy and maintenance costs while maintaining light levels. Lowest possible heat production
- Designed to replace standard and high end dichroic reflector lamps leading to savings in energy costs of up to 40% compared to standard dichroics
- Increased comfort and (where applicable) lower cooling costs because of up to 40% lower heat transmission
- Up to 66% more lifetime compared to standard conventional halogen dichroics (5000 hours)
- Lowest UV output for a dichroic lamp reduces fading risks to absolute minimum

### Application

- Accent and general lighting applications in homes, shops, hotels and restaurants, where energy efficiency and low maintenance are important and especially in art galleries, museums and exhibitions

### Luminaires

- Can be used in luminaires without front glass in accordance with IEC 598

---

#### Product data

Order code

413871 71

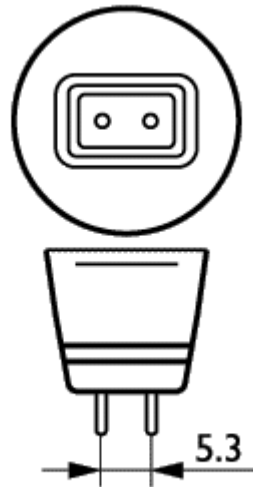
---

**PHILIPS**

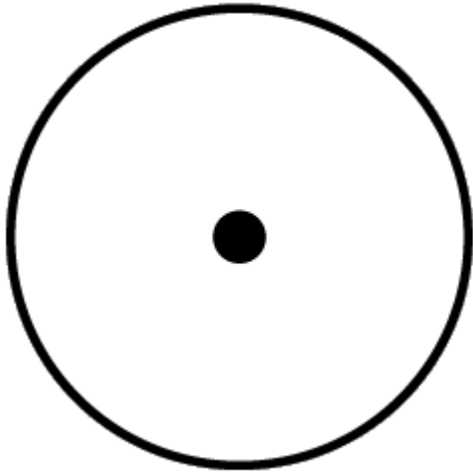
Product data	
Full product code	871150041387171
Full product name	MASTERLine ES 35W GU5.3 12V 8D 1CT
Order product name	MASTERL ES 35W GU5.3 12V 8D 1CT/4X5F
Packing type	1 Lamp in a Folding Carton
Pieces per pack	1
Packing configuration	4X5F
Packs per outerbox	20
Bar code on pack - EAN1	8711500413871
Bar code on intermediate packing - EAN2	8711500413918
Bar code on outerbox - EAN3	8711500410139
Logistic code(s) - 12NC	9240 464 17106   9248 955 17101
ILCOS code	HRGS- 35- 12- GU5.3- 50/8
Net weight per piece	30.000 GR
Successor order code	
Philips Code	18138
Cap- Base	GU5.3
Bulb	MR16 [MR 16inch/50mm]
Burning Position	any [Any/Universal]
Rated Lamp Wattage	35W
Voltage	12V
Beam Angle	8D
Luminous Intensity	13500 cd
Colour Rendering Index	100 Ra8
Colour Temperature	3000 K



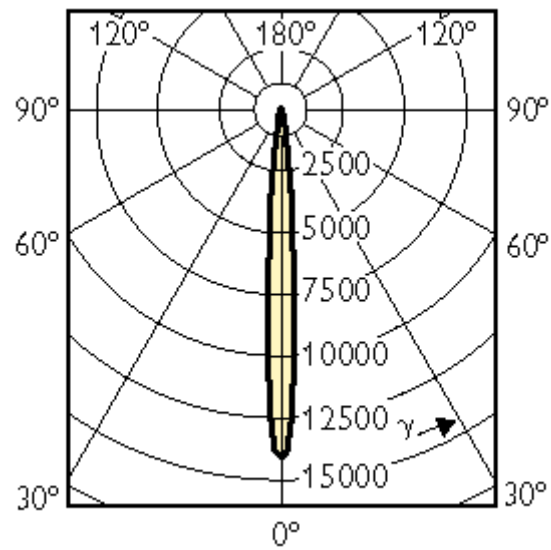
MASTERL ES  
18132/18133/18134/18135/18136/18137/18138/18139/  
18140/18141/18142/18143/18144/18145/18146



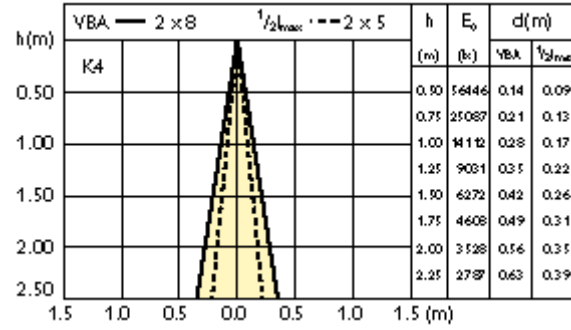
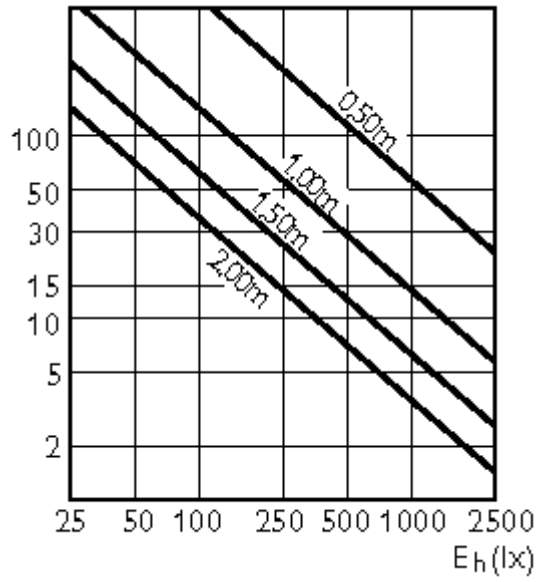
Cap- Base GU5.3



Burning Position any

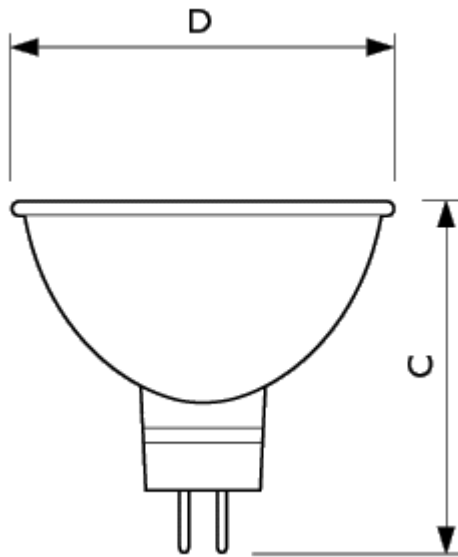


MASTERL ES 35W 8D



MASTERL ES 35W 8D

MASTERL ES 35W 8D



MASTERL ES  
 18132/18133/18134/18135/18136/18137/18138/18139/  
 18140/18141/18142/18143/18144/18145/18146

	C1	D
Full product name	Max	Max
MASTERLine ES 35W GU5.3 12V 8D 1CT	50.5	51

