



# MASTER LEDspot MV

## MASTER LEDspotMV D 6-50W GU10 CW 25D

Delivering a warm, halogen-like accent beam, MASTER LEDspot MV is a perfect fit for spot lighting (track, corridors, lift lobbies, display cases and cabinets) in the hospitality industry. It is particularly suitable for public areas where the light is on 24/7, such as lobbies, corridors, stairwells. MASTER LEDspot MV delivers huge energy savings and minimizes maintenance cost without any compromise on brightness, enabling hospitality owners to achieve a return on their investment within one year. These LEDspots are compatible with most existing fixtures with a GU10 holder and designed as a retrofit replacement for halogen or incandescent spots. The dimmable versions drive further efficiencies, while helping to create the desired atmosphere. For environments where the right atmosphere needs to be created (e.g. bars and restaurants), the “DimTone” feature could be useful. This is a LED feature that creates a warmer tone once light is dimmed down to lower intensities.

### Product data

#### • General Characteristics

Cap-Base	GU10
Rated Lifetime (hours)	40000 hr
Rated Lifetime (years)	25 an

#### • Light Technical Characteristics

Color Code	CW
Color Designation (text)	Cool White
Beam Angle	25 D
Beam Description	25D [Medium beam]
Correlated Color Temperature	4000 K
Luminous Intensity	1100 cd
Color rendering index	80
Color Temperature	4000 K [CCT 4000K]
Rated Luminous Flux	320 Lm

#### • Electrical Characteristics

Wattage	6 W
Wattage Technical	6 W
Voltage	230 V
Line Frequency	50-60 Hz
Power Factor	0.6 -
Lamp Current mA	45 mA
Dimmable	Yes

Wattage Equivalent	50 W
Starting Time	0.5 (max) s

#### • Measuring Conditions

Switching cycle	50000x
-----------------	--------

#### • Product Dimensions

Diameter D	50 mm
Overall Length C	55 mm

#### • Product Data

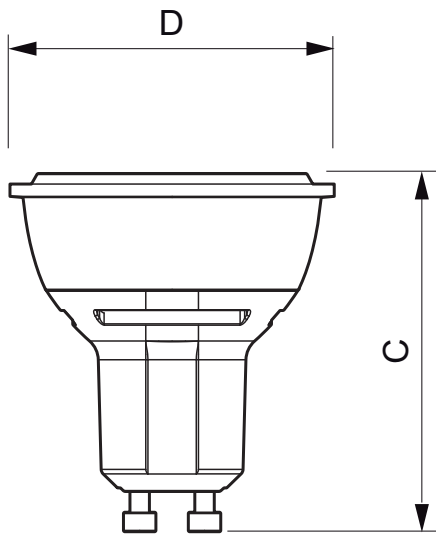
Order code	929000226102
Full product code	929000226102
Full product name	MASTER LEDspotMV D 6-50W GU10 CW 25D
Order product name	MAS LEDspotMV D 6-50W GU10 CW 25D
Pieces per pack	1
Packing configuration	10
Packs per outerbox	10
Bar code on pack - EAN1	8718291210719
Bar code on outerbox - EAN3	8718291210726
Logistic code(s) - 12NC	929000226102
Net weight per piece	0.050 kg



# PHILIPS

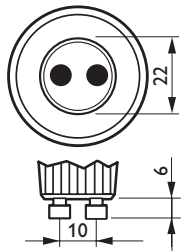
sense and simplicity

## Dimensional drawing



### 6-50W GU10

Product	C (Norm)	C1 (Max)	D (Norm)	D1 (Norm)
LED D 6-50W GU10 CW 25D 55	-	-	50	-



GU10



© 2012 Koninklijke Philips Electronics N.V.  
All rights reserved.

Specifications are subject to change without notice. Trademarks are the property of Koninklijke Philips Electronics N.V. or their respective owners.

[www.philips.com/lighting](http://www.philips.com/lighting)

2012, August 4  
data subject to change