



MASTER LEDspot MV

MASTER LEDspotMV D 4-35W GU10 WW 40D

Delivering a warm, halogen-like accent beam, MASTER LEDspot MV is a perfect fit for spot lighting (track, corridors, lift lobbies, display cases and cabinets) in the hospitality industry. It is particularly suitable for public areas where the light is on 24/7, such as lobbies, corridors, stairwells. MASTER LEDspot MV delivers huge energy savings and minimizes maintenance cost without any compromise on brightness, enabling hospitality owners to achieve a return on their investment within one year. These LEDspots are compatible with most existing fixtures with a GU10 holder and designed as a retrofit replacement for halogen or incandescent spots. The dimmable versions drive further efficiencies, while helping to create the desired atmosphere. For environments where the right atmosphere needs to be created (e.g. bars and restaurants), the “DimTone” feature could be useful. This is a LED feature that creates a warmer tone once light is dimmed down to lower intensities.

Product data

• General Characteristics

Cap-Base	GU10
Bulb	- [-]
Rated Lifetime (hours)	25000 hr

• Light Technical Characteristics

Color Code	WW
Color Designation (text)	Warm White
Beam Angle	40 D
Beam Description	- [-]
Correlated Color Temperature	2700 K
Luminous Flux	180 Lm
Luminous Intensity	350 cd
Color rendering index	80
Color Temperature	2700 K [CCT 2700K]
Rated Luminous Flux	180 Lm

• Electrical Characteristics

Wattage	4 W
Wattage Technical	4.0 W
Voltage	230 V
Line Frequency	50-60 Hz
Power Factor	0.6 -
Lamp Current mA	29 mA
Dimmable	Yes

Wattage Equivalent	35 W
Starting Time	0.5 (max) s

• Measuring Conditions

Switching cycle	50000x
-----------------	--------

• Product Dimensions

Diameter D	50 mm
Overall Length C	55 mm

• Product Data

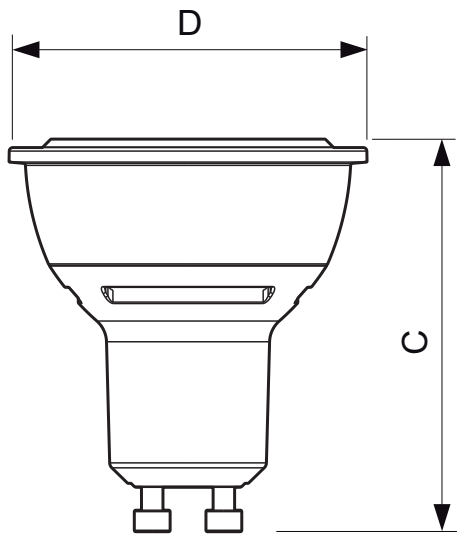
Order code	929000212702
Full product code	929000212702
Full product name	MASTER LEDspotMV D 4-35W GU10 WW 40D
Order product name	MAS LEDspotMV D 4-35W GU10 WW 40D
Pieces per pack	1
Packing configuration	10
Packs per outerbox	10
Bar code on pack - EAN1	8718291192367
Bar code on outerbox - EAN3	8718291192374
Logistic code(s) - 12NC	929000212702
Net weight per piece	0.035 kg



PHILIPS

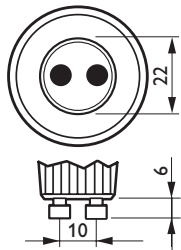
sense and simplicity

Dimensional drawing



4-35W, 6W GU10

Product	C (Norm)	C1 (Max)	D (Norm)	D1 (Norm)
LED D 4-35W GU10 WW 40D	55	-	50	-



GU10



© 2012 Koninklijke Philips Electronics N.V.
All rights reserved.

Specifications are subject to change without notice. Trademarks are the property of Koninklijke Philips Electronics N.V. or their respective owners.

www.philips.com/lighting

2012, August 4
data subject to change