



# MASTER LEDspot PAR

## MASTER LEDspot D 18-100W 2700K PAR38

With its robust design and warm-white beam of light, these new-generation PAR lamps are ideal for general lighting and spot lighting in the hospitality industry. There is a choice of dimmable and non-dimmable versions. They are especially suitable for public areas such as lobbies, corridors, stairwells, where the light is always on. Compatible with existing fixtures with an E27 holder and designed for retrofit replacement of halogen/incandescent lamps, MASTER LEDspot PAR deliver huge energy savings and minimize maintenance cost without any reduction in brightness. The IP44-rated outdoor version of the PAR 38 lamp is one of the few energy-saving alternatives to incandescent PAR38 outdoor lamps available today. The dimmable PAR 20 is a perfect replacement for an incandescent spot.

### Product data

#### • General Characteristics

Cap-Base	E27
Bulb	PAR38 [PAR38 mm]
Rated Lifetime (hours)	45000 hr

#### • Light Technical Characteristics

Color Code	WW
Color Designation (text)	Warm White
Beam Angle	25 D
Beam Description	- [-]
Correlated Color Temperature	2700 K
Luminous Intensity	3400 cd
Color rendering index	80
Color Temperature	2700 K [CCT 2700K]
Rated Luminous Flux	810 Lm

#### • Electrical Characteristics

Wattage	18 W
Wattage Technical	18.0 W
Voltage	230 V
Line Frequency	50-60 Hz
Power Factor	0.8 -
Lamp Current mA	90 mA

Dimmable Yes

#### • Measuring Conditions

Switching cycle 50000x

#### • Product Dimensions

Overall Length C 133 mm  
Diameter D 122 mm

#### • Product Data

Order code	929000197402
Full product code	929000197402
Full product name	MASTER LEDspot D 18-100W 2700K PAR38
Order product name	MASTER LEDspot D 18-100W 2700K PAR38
Pieces per pack	1
Packing configuration	6
Packs per outerbox	6
Bar code on pack - EAN1	8718291119296
Bar code on outerbox - EAN3	8718291119302
Logistic code(s) - 12NC	929000197402
Net weight per piece	0.609 kg

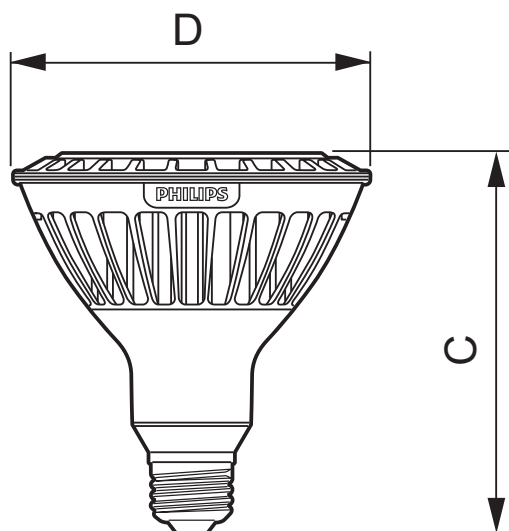
### Dimensional drawing



# PHILIPS

sense and simplicity

## Dimensional drawing



### MASTER LED 18-100W 2700K PAR38 25D Dim

Product	C (Norm)	D (Norm)
LED D 18-100W E27 WW 2700K 230V PAR38	133	122

E27



© 2013 Koninklijke Philips Electronics N.V.  
All rights reserved.

Specifications are subject to change without notice. Trademarks are the property of Koninklijke Philips Electronics N.V. or their respective owners.

[www.philips.com/lighting](http://www.philips.com/lighting)

2013, January 10  
data subject to change