

## L 58 W/865

---

LUMILUX T8 | Tubular fluorescent lamps 26 mm, with G13 bases



- Public buildings
- Office lighting
- Industry
- Shops
- Supermarkets and department stores
- Street lighting

### Product benefits

---

- Up to 18 % higher luminous efficacy than conventional T8 BASIC lamps
- Good economy thanks to high efficiency

### Product features

---

- Very good lumen maintenance: >90 % throughout the life of the lamp
- Good color rendering group: 1B ( $R_a$ : 80...89)
- Dimmable
- Top-quality three-band phosphor: LUMILUX
- Available in many different light colors (2,700...8,000 K) for every application and preference



## Technical data

### Electrical data

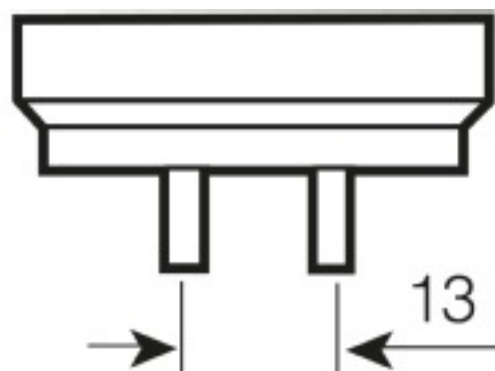
Nominal wattage	58 W
Rated lamp efficacy (HF data)	Under clarification by authority and standardization body
Rated lamp efficacy (standard condition)	86 lm/W
Rated wattage	58 W

### Light technical data

Color rendering index Ra	>=80
Rated luminous flux	5000 lm
Luminous flux at 25 °C	5000 lm
Light color	865
Color temperature	6500 K
Nominal luminous flux	5000 lm
Light color as per EN 12464-1	LUMILUX Cool Daylight
Rated LLMF at 2,000 h	0.95
Rated LLMF at 4,000 h	0.92
Rated LLMF at 6,000 h	0.91
Rated LLMF at 8,000 h	0.90
Rated LLMF at 12,000 h	0.89
Color coordinates chromaticity diagram	0.313/0.337

### Dimensions & weight

Tube diameter	26 mm
Length	1500.0 mm
Length with base excl. base pins/connection	1500.00 mm
Diameter	26.0 mm



G13  
IEC 7004-51  
DIN 49653 T1

Product line drawing with letters

Base

### Colors & materials

Lamp mercury content	2.5 mg
----------------------	--------

### Temperatures

Rated ambient temp.w.max.luminous flux	25.0 °C
--	---------

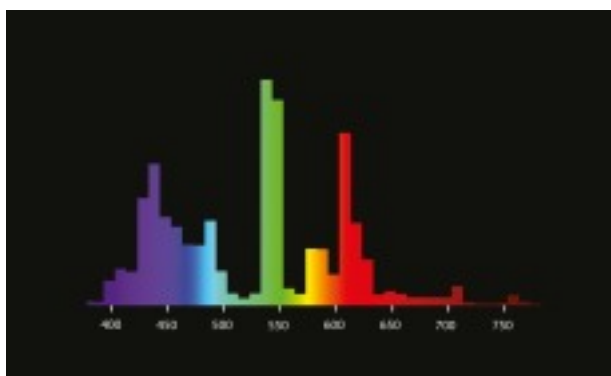
### Lifespan

Service life	18000 h <sup>1)</sup>
Lifespan	20000 h <sup>1)</sup>
Rated lamp survival factor at 2,000 h	0.99
Rated lamp survival factor at 4,000 h	0.99
Rated lamp survival factor at 6,000 h	0.99
Rated lamp survival factor at 8,000 h	0.99
Rated lamp survival factor at 12,000 h	0.90
Operation mode LLMF/LSF	50 Hz

<sup>1)</sup> With preheat ECG

**Additional product data**

Base (standard designation)	G13
Appropriate disposal acc. to WEEE	Yes



*Spectral power distribution*

**Capabilities**

Suitable for indoor	Yes
---------------------	-----

**Certificates & standards**

EEI - Energy Label	A
--------------------	---

## Lamp-ECG combination (System)

---

### HF 1x58/230-240 DIM

---

#### Products

HF 1x58/230-240 DIM

### HF 2x58/230-240 DIM

---

#### Products

HF 2x58/230-240 DIM

### QT-FIT8 1x58-70

---

#### Products

QT-FIT8 1x58-70

### QT-FIT8 2x58-70

---

#### Products

QT-FIT8 2x58-70

### QTP5 1x54

---

#### Products

QTP5 1x54

### QTP5 2x54

---

#### Products

QTP5 2x54

### QTP8 1x58

---

**Products**

QTP8 1x58/230-240

---

**QTP8 2x58**

**Products**

QTP8 2x58/230-240

---

**QTi 1x28/54/35/49 GII**

**Products**

QTi 1x28/54/35/49 GII

---

**QTi 1x58 DIM**

**Products**

QTi 1x58 DIM

---

**QTi 2x28/54/35/49 GII**

**Products**

QTi 2x28/54/35/49 GII

---

**QTi 2x58 DIM**

**Products**

QTi 2x58 DIM

---

**QTi DALI 1x58 DIM**

**Products**

QTi DALI 1x58 DIM

---

**QTi DALI 2x58 DIM**

---

**Products**

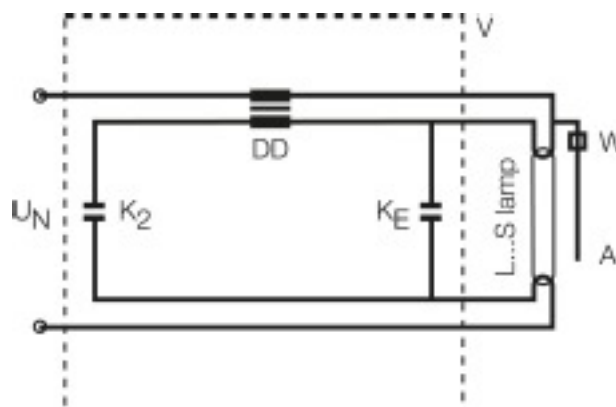
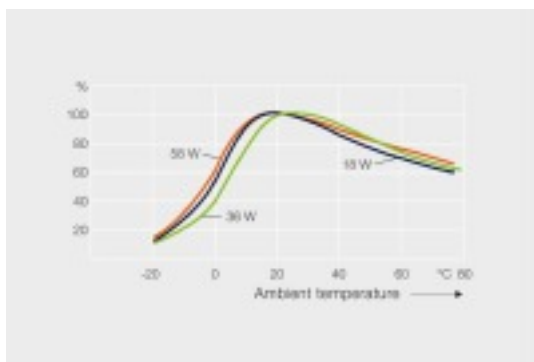
QTi DALI 2x58 DIM

**System guarantee**

OSRAM System+ Guarantee in combination with OSRAM ECGs

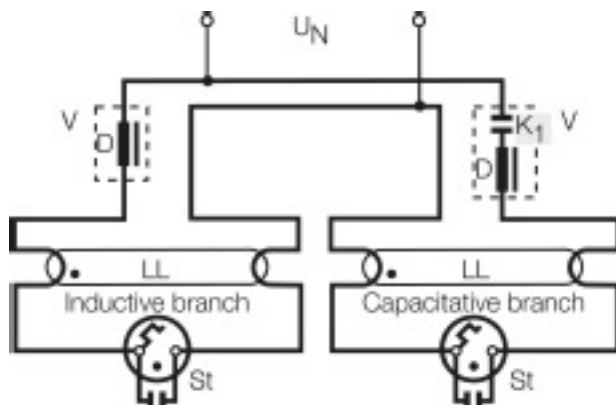
**Safety advice**

In case of lamp breakage: [www.osram.com/brokenlamp](http://www.osram.com/brokenlamp)



*Others graphics*

*Circuit diagram*



Circuit diagram



## References / Links

---

For more information on the system guarantee and the terms and conditions of the guarantee visit

- ▶ [www.osram.com/system-guarantee](http://www.osram.com/system-guarantee)

For more information on QUICKTRONIC electronic control gear go to

- ▶ [www.osram.com/QUICKTRONIC](http://www.osram.com/QUICKTRONIC)

## Disclaimer

---

Subject to change without notice. Errors and omission excepted. Always make sure to use the most recent release.