

L 58 W/840

LUMILUX T8 | Tubular fluorescent lamps 26 mm, with G13 bases



- Public buildings
- Office lighting
- Industry
- Shops
- Supermarkets and department stores
- Street lighting

Product benefits

- Up to 18 % higher luminous efficacy than conventional T8 BASIC lamps
- Good economy thanks to high efficiency

Product features

- Very good lumen maintenance: >90 % throughout the life of the lamp
- Good color rendering group: 1B (R_a : 80...89)
- Dimmable
- Top-quality three-band phosphor: LUMILUX
- Available in many different light colors (2,700...8,000 K) for every application and preference



Technical data

Electrical data

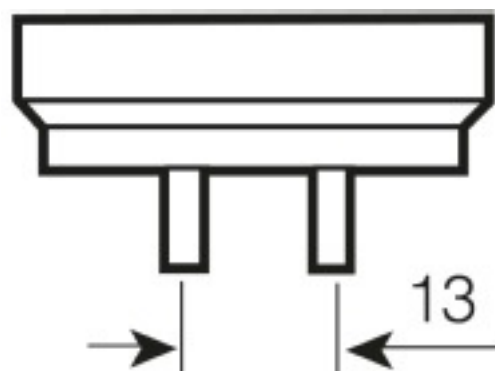
Nominal wattage	58 W
Rated lamp efficacy (HF data)	Under clarification by authority and standardization body
Rated lamp efficacy (standard condition)	90 lm/W
Rated wattage	58 W

Light technical data

Color rendering index Ra	>=80
Rated luminous flux	5200 lm
Luminous flux at 25 °C	5200 lm
Light color	840
Color temperature	4000 K
Nominal luminous flux	5200 lm
Light color as per EN 12464-1	LUMILUX Cool White
Rated LLMF at 2,000 h	0.95
Rated LLMF at 4,000 h	0.92
Rated LLMF at 6,000 h	0.91
Rated LLMF at 8,000 h	0.90
Rated LLMF at 12,000 h	0.89
Color coordinates chromaticity diagram	0.38/0.38

Dimensions & weight

Tube diameter	26 mm
Length	1500.0 mm
Length with base excl. base pins/connection	1500.00 mm
Diameter	26.0 mm



G13
IEC 7004-51
DIN 49653 T1

Product line drawing with letters

Base

Colors & materials

Lamp mercury content	2.5 mg
----------------------	--------

Temperatures

Rated ambient temp.w.max.luminous flux	25.0 °C
----------------------------------------	---------

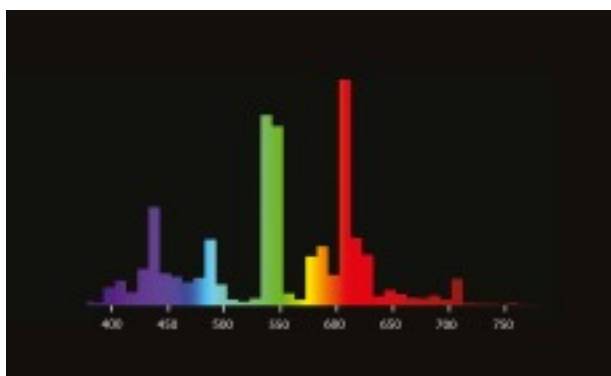
Lifespan

Service life	18000 h ¹⁾
Lifespan	20000 h ¹⁾
Rated lamp survival factor at 2,000 h	0.99
Rated lamp survival factor at 4,000 h	0.99
Rated lamp survival factor at 6,000 h	0.99
Rated lamp survival factor at 8,000 h	0.99
Rated lamp survival factor at 12,000 h	0.90
Operation mode LLMF/LSF	50 Hz

¹⁾ With preheat ECG

Additional product data

Base (standard designation)	G13
Appropriate disposal acc. to WEEE	Yes



Spectral power distribution

Capabilities

Suitable for indoor	Yes
---------------------	-----

Certificates & standards

EEI - Energy Label	A
--------------------	---

Lamp-ECG combination (System)

HF 1x58/230-240 DIM

Products

HF 1x58/230-240 DIM

HF 2x58/230-240 DIM

Products

HF 2x58/230-240 DIM

QT-FIT8 1x58-70

Products

QT-FIT8 1x58-70

QT-FIT8 2x58-70

Products

QT-FIT8 2x58-70

QTP5 1x54

Products

QTP5 1x54

QTP5 2x54

Products

QTP5 2x54

QTP8 1x58

Products

QTP8 1x58/230-240

QTP8 2x58

Products

QTP8 2x58/230-240

QTi 1x28/54/35/49 GII

Products

QTi 1x28/54/35/49 GII

QTi 1x58 DIM

Products

QTi 1x58 DIM

QTi 2x28/54/35/49 GII

Products

QTi 2x28/54/35/49 GII

QTi 2x58 DIM

Products

QTi 2x58 DIM

QTi DALI 1x58 DIM

Products

QTi DALI 1x58 DIM

QTi DALI 2x58 DIM

Products

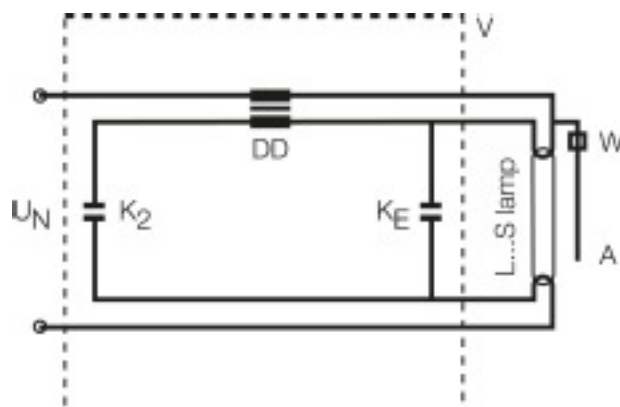
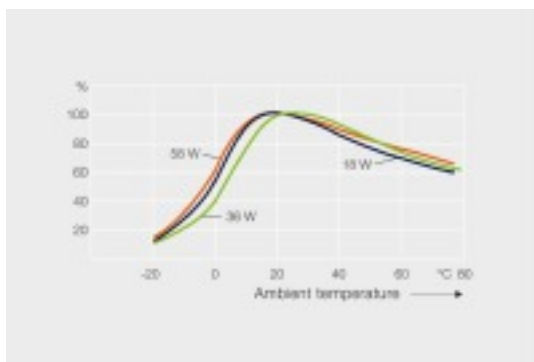
QTi DALI 2x58 DIM

System guarantee

OSRAM System+ Guarantee in combination with OSRAM ECGs

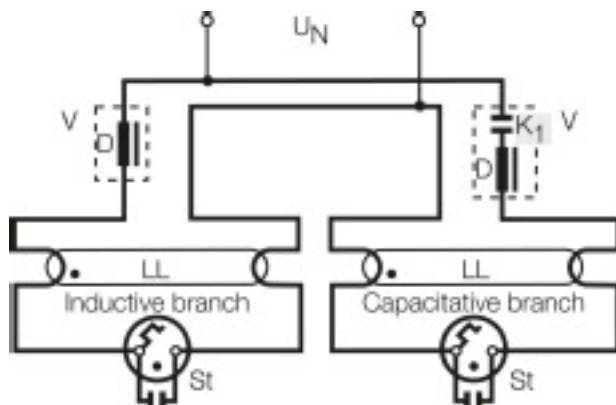
Safety advice

In case of lamp breakage: www.osram.com/brokenlamp



Others graphics

Circuit diagram



Circuit diagram

Logistical Data

Product code	Packaging unit (Pieces/Unit)	Dimensions (height x width x length)	Gross weight	Volume
4050300336787	Sleeves 1	31 mm x 19 mm x 1560 mm	298.00 g	0.92 dm ³
4050300336794	Shipping carton box 10	177 mm x 60 mm x 1587 mm	3758.00 g	16.85 dm ³
4050300443362	Unpacked 1	25 mm x 25 mm x 1513 mm	171.00 g	0.95 dm ³
4050300443379	Shipping carton box 30	165 mm x 423 mm x 1293 mm	7243.00 g	90.24 dm ³
4050300517957	Sleeves 1	30 mm x 27 mm x 1515 mm	242.00 g	1.23 dm ³
4050300517964	Shipping carton box 25	145 mm x 273 mm x 1542 mm	6520.00 g	61.04 dm ³

References / Links

For more information on the system guarantee and the terms and conditions of the guarantee visit

- ▶ www.osram.com/system-guarantee

For more information on QUICKTRONIC electronic control gear go to

- ▶ www.osram.com/QUICKTRONIC

Disclaimer

Subject to change without notice. Errors and omission excepted. Always make sure to use the most recent release.