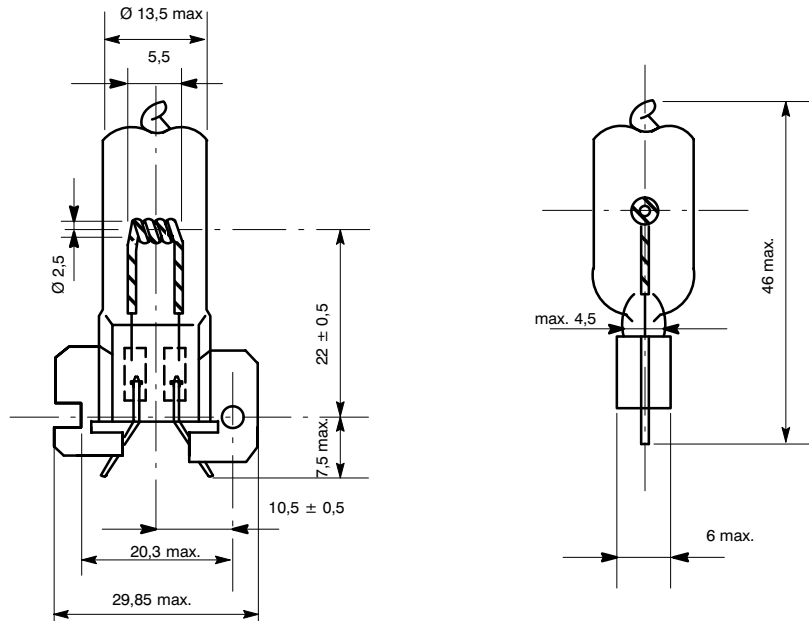




OUTLINE



- Base type :
- Bulb : T₄ quartz glass, clear
- Coil : CC6
- Pins : molybdenum ø 0.7

ELECTRICAL DATA:

NOMINAL VALUE

Lamp Wattage (W) :	120
Lamp Voltage (V) :	24
Lamp Current (A) :	5.0

OPERATING CONDITIONS:

Max. Pinch Temperature :	400 °C	Burning position :	BD ± 90
Min. Bulb Wall Temperature :	250 °C	Switching cycle :	12 min. ON, 3 min. OFF
Max. Bulb Wall Temperature :	900 °C		

PHOTOMETRIC DATA:

Colour temperature (K) :	3200
Luminous flux (lm) :	3000
Average lamp Life (h) :	200

APPLICATION: For further lamp data refer to EN 60357, most recent edition.

ATTENTION: This lamp operates at higher than atmospheric pressure. Use it only in fixtures fitted with adequate glass cover or protective shield. Incorrect use of the lamp or with improper equipment is dangerous. Do not operate lamps in series.

Issued by : TIENEN
 Date : 26.06.1995
 Revision Date : 13.09.2002

DATA SHEET

Specification No. : 51-03-2329/A
 Supersedes : 51-03-2329 26.06.1995
 Page 1 of 1