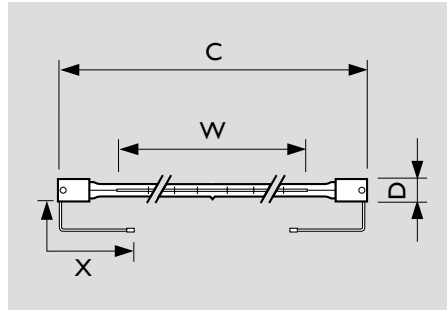
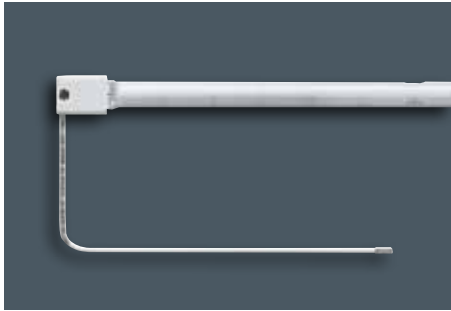


Translucent lamps

Our DR. FISCHER frosted light bulbs have a slightly textured translucent glass that has a whitish appearance, as if a layer of fog or frost lies over the bulb. This may be inherent in the glass or a coating added to the bulb.

- Plastics
- Paper
- Food
- Wood & Composites
- Shoes & Fabrics
- Metal
- Paint
- Animal care



DR. FISCHER translucent lamps short waves

Average lifetime	5,000 hours
Bulb diameter (D)	11 mm

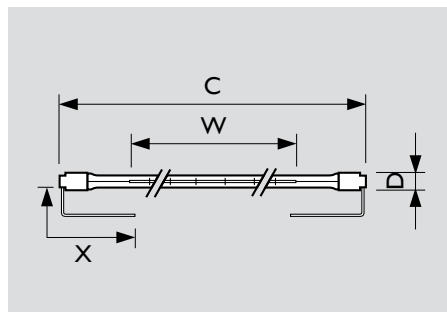
Type #	Watt	Volt	Total length mm (C)	Heating length mm (W)	Base	Colour temp. K	Burning position	Cable (X)	Terminal	Qty box (pc)	Order #	Applications
500T3	500	120	224.0	127.0	U-CLIP	2,500	Horiz.	146/146	splice	10	924517636316	All
1000T3	1,000	240	351.0	254.0	U-CLIP	2,500	Horiz.	146/146	splice	10	924517843816	All
1600T3/7	1,600	240	498.5	406.0	R7s	2,550	Horiz.	NA	NA	10	924519043816	All
1600T3	1,600	277	503.0	404.0	U-CLIP	2,500	Horiz.	146/146	splice	10	924520746916	All
3800T3	3,800	575	1,062.0	965.0	U-CLIP	2,500	Horiz.	146/146	splice	6	924518451116	All

For non-listed solutions (base, watt, volt, applications...), please contact us.

Gold-coated lamps

Our revolutionary DR. FISCHER Gold-coated lamp is a unique heat lamp based on our world-leading technology and knowledge to meet our customers' needs for specific applications requiring a direct heat performance and a reduced glare ren-

dering. Our DR. FISCHER Gold-coated heat lamps are simple, effective and reliable heat sources which are both energy-efficient and comfortable.



DR. FISCHER gold-coated lamps short waves

Bulb diameter (D)	11 mm
-------------------	-------

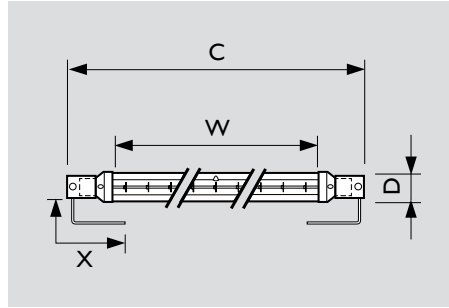
Type #	Watt	Volt	Total length mm (C)	Heating length mm (W)	Base	Colour temp. K	Burning position	Average life (hrs)	Cable (X)	Terminal	Qty box (pc)	Order #	Applications
15106R	500	235	297.0	242.0	R7s	2,250	Horiz.	2,000	NA	NA	6	924592744950	
15008X	1,000	235	370.0	272.0	X-CLIP	NA	Any	5,000	NA	NA	10	924527344516	
15105R	1,000	235	297.0	242.0	R7s	2,600	Horiz.	2,000	NA	NA	6	924592544916	
15085R	1,300	240	254.1	185.0	R7s	NA	Horiz.	2,000	NA	NA	40	924585345502	All
15085R	1,300	240	254.1	185.0	R7s	NA	Horiz.	2,000	NA	NA	10	924585345516	All

For non-listed solutions (base, watt, volt, applications...), please contact us.

Double-sleeve lamps

DR. FISCHER double-sleeve lamps feature a quartz double envelope for a total security and an easy handling in catering applications. Maintenance is simplified as the lamp is easily cleanable with a duster. Above all, thanks to the low internal tube

pressure, there is no risk of lamp explosion or quartz breakage. We know that safety is key in the food preparation market.



DR. FISCHER double-sleeve lamps short waves

Average lifetime | 5,000 hours

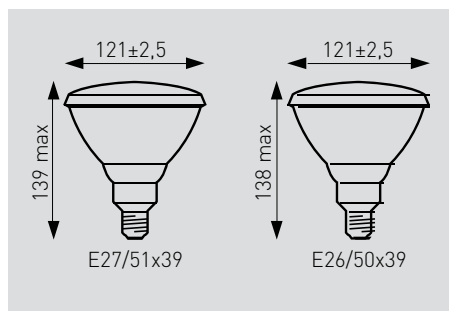
Type #	Watt	Volt	Total length mm (C)	Heating length mm (W)	Base	Bulb diameter mm (D)	Colour temp. K	Burning position	Cable (X)	Terminal	Qty box (pc)	Order #	Applications
13908J	300	230	117.5	64.0	J7s	20.5	2,400	Horiz.	NA	NA	10	924592144224	
13169Z/850	500	235	225.0	160.0	SK15	19.0	2,400	Horiz.	230/230	splice	10	924552344924	

For non-listed solutions (base, watt, volt, applications...), please contact us.

PAR38 lamps

Our DR. FISCHER infrared halogen PAR38 lamps offer a direct heat, without air stream, for animals care and food catering applications. With its compact form, its reinforced construction and its universal base, our PAR38 is the safest and most ef-

ficient choice for working in hard and binding conditions like farms or professional kitchens.



DR. FISCHER PAR38 lamps short waves

Average lifetime | 5,000 hours

Bulb diameter (D) | 121 mm

Type #	Watt	Volt	Total length mm (C)	Heating length mm (W)	Base	Colour temp. K	Burning position	Cable (X)	Terminal	Qty box (pc)	Order #	Applications
PAR 38	75	230	139.0	NA	E27/51 x 39	2,650	Any	NA	NA	8	802207544208	
PAR 38	75	120	138.0	NA	E26/50 x 39	2,750	Any	NA	NA	8	802207536308	

For non-listed solutions (base, watt, volt, applications...), please contact us.