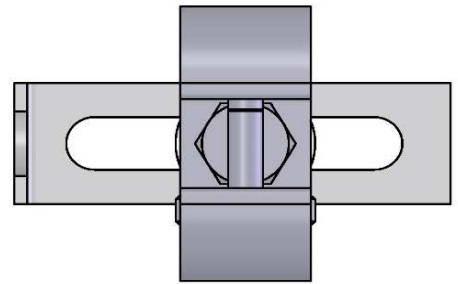
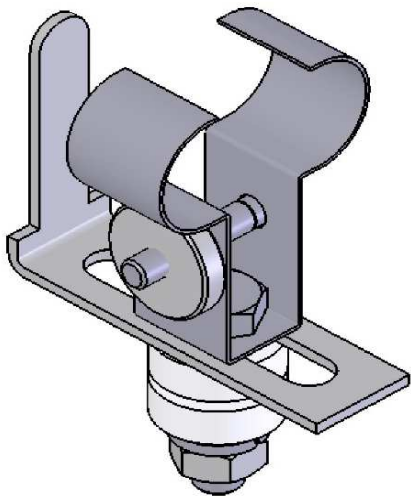
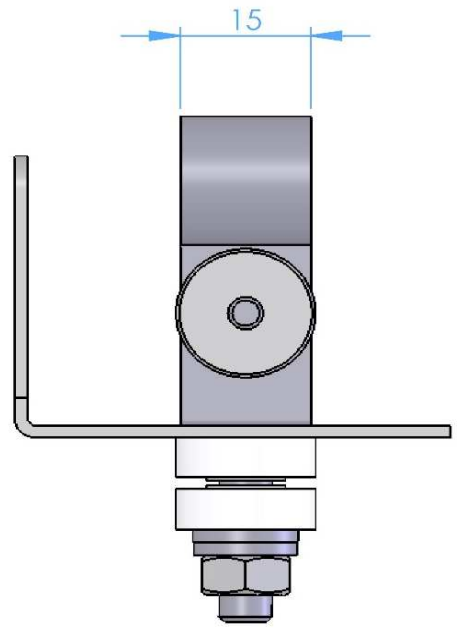
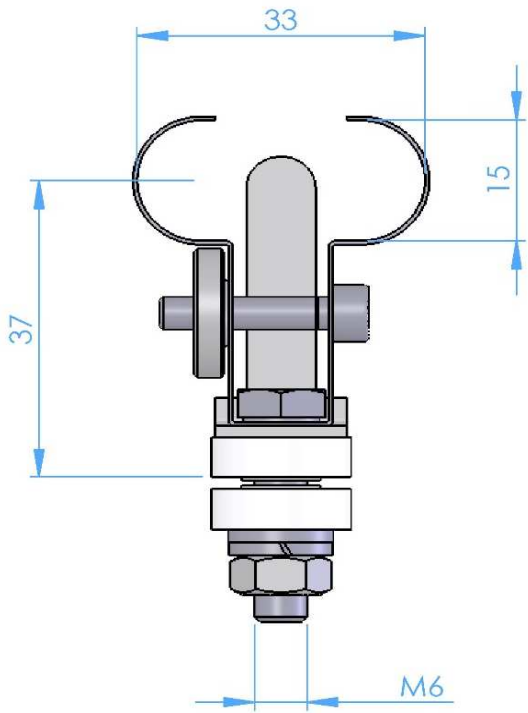


TECHNICAL DATA



Article number: 2BAR011

ACCESSORY		Modif	0					
		Date	14/09/2015					
Holder Twin 15x33 with stopper (kit)		Comments	Original					
Date	DIRTECH®							
14/09/2015								