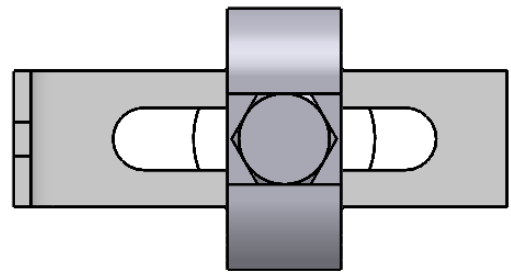
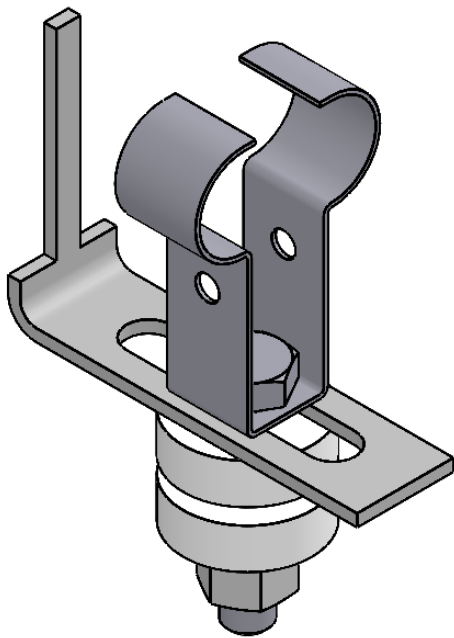
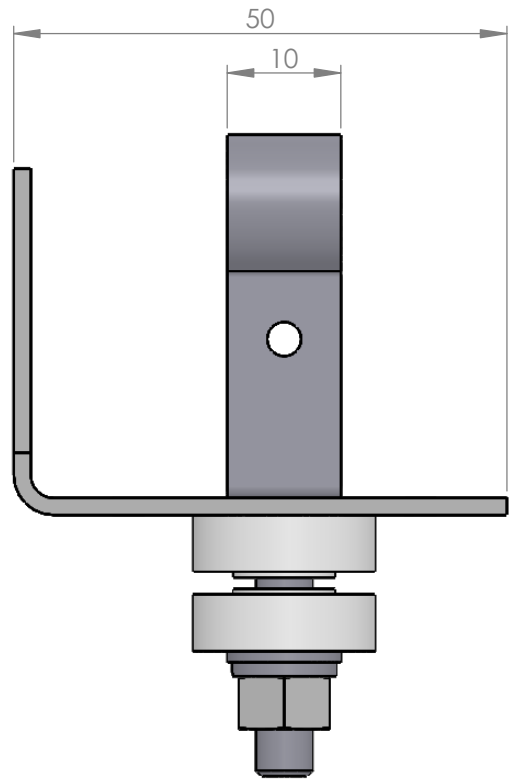
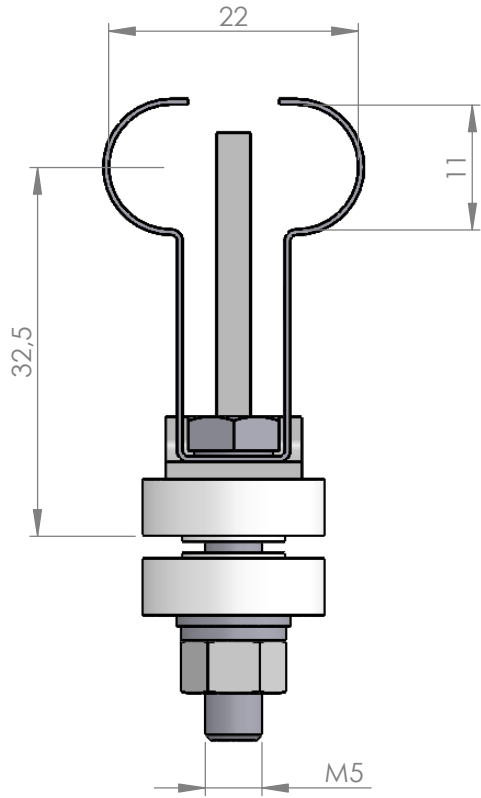


TECHNICAL DATA



Article number : 2BAR015

Accessory		Modif	0				
		Date	14/02/2020				
Holder Twin 11x23 stopper only (kit)		Comments					
Date	DIRTECH		Original				
14/02/2020							