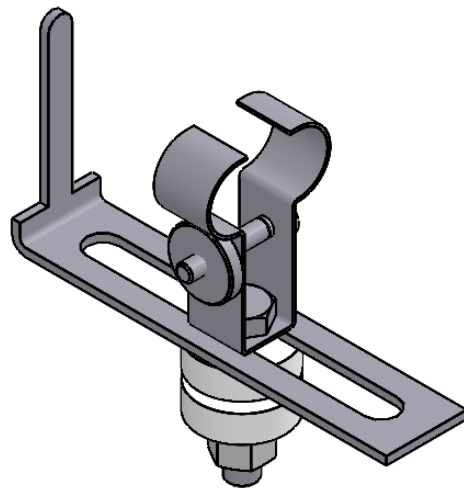
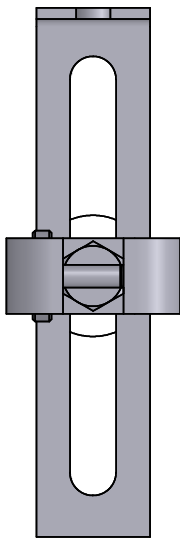
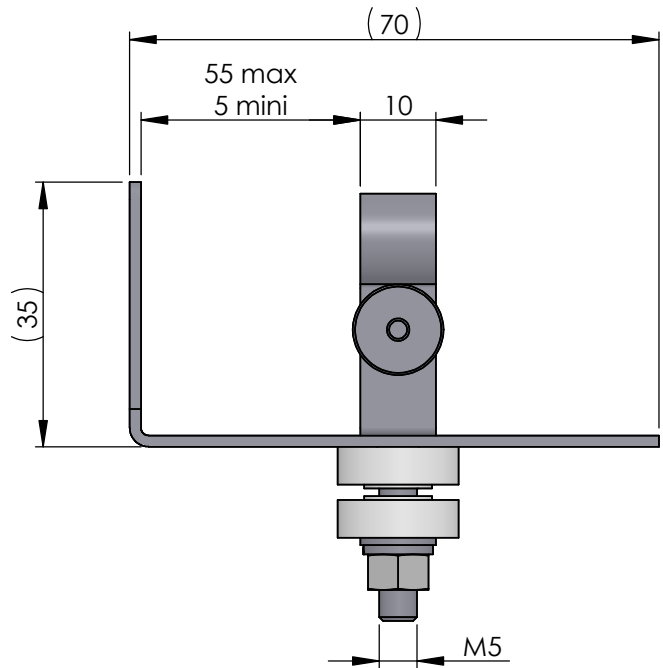
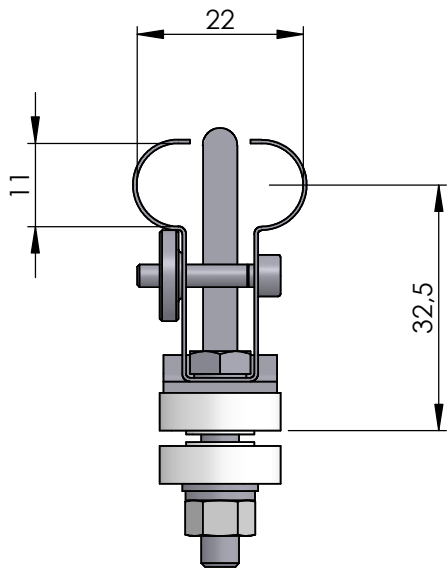


TECHNICAL DATA



Article number : 2BAR026

Accessory		Modif	0				
		Date	28/01/2020				
Holder Twin 11x23 with stopper		Comments					
Date 28/01/2020	DIRTECH		Original				