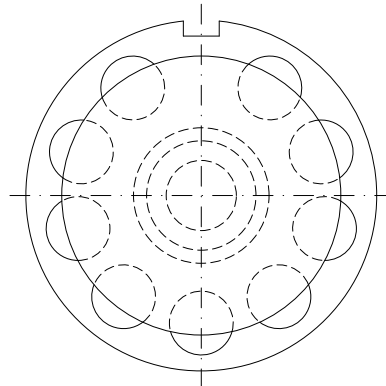
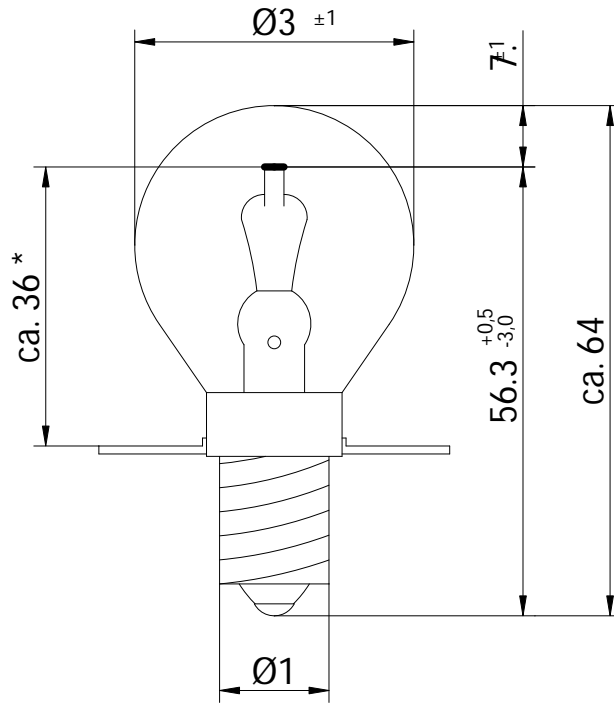


Drawings and descriptions only for information purpose. SiL Int. BV. disclaims all warranties without limitation.



HS900-930

REF.	VOLT	WATT / AMP	BASE	LMN	LM / W
843096	6	30 / 4,5	E14/28x17	540	18
HRS	BRAND		APPLICATION		COMMENTS
100	DR. FISCHER GMBH		Microscope		