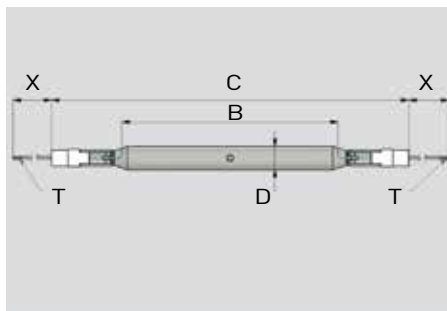
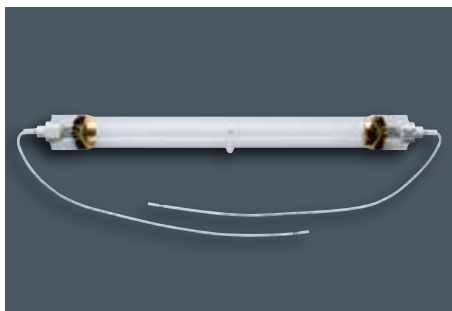


HP products



Pinch Seal

12NC	Type #	Watt W	Volt V	Lamp Current A	Power density $\mu\text{W}/\text{cm}$	UV-C (*) irrad. at 0h $\mu\text{W}/\text{cm}^2$	Arc length mm	Total length mm	Bulb diameter mm (D)	Base	Cables +/-5 mm (X)	Terminal (T)	Burning pos.	Qty Box pc
9285 500 05156	HP 20/120	2,000	230	9.0	120	2,500	200	331	22.0	19	175/175	stripped end	Horiz.	4
9285 569 05154	HP 70/60	4,000	1,400	3.0	60	3,700	700	765	14.5	8	95/95	stripped end	Horiz.	4
9285 864 05128	HP 4/120	400	125	3.5	120	410	31	105	14.0	R7s	-	-	Any	10
9285 865 05128	HP 4/120 SE	400	125	3.5	120	410	31	111	14.0	GY9.5	-	-	Any	10
9285 875 05154	HP 70/30	2,000	1,400	1.6	30	1,600	700	765	14.5	8	95/95	stripped end	Horiz.	4
9285 882 05156	HP 20/100	2,100	245	9.6	100	2,500	195	255	22.0	8	240/240	stripped end	Horiz.	4
9285 883 05154	HP 35/120	2,850	490	6.0	120	3,600	343	380	22.0	1	235/235	stripped end	Horiz.	4
9285 884 05154	HP 50/120	4,100	670	7.2	120	5,700	502	532	22.0	1	235/235	stripped end	Horiz.	4
9285 886 05154	HP 65/80	5,000	840	6.6	80	6,700	645	669	22.0	2	235/235	stripped end	Horiz.	4
9285 888 05154	HP 140/80	11,000	1,850	6.5	80	14,800	1,415	1,439	22.0	2	235/235	stripped end	Horiz.	4
9285 892 05154	HP 65/120	5,000	840	6.6	120	6,700	637	669	22.0	1	235/235	stripped end	Horiz.	4
9285 893 05154	HP 80/120	6,400	1,030	7.0	120	8,600	800	832	22.0	1	240/240	stripped end	Horiz.	4
9285 896 05154	HP 105/120	8,300	1,350	6.7	120	11,000	1,057	1,089	22.0	1	230/230	stripped end	Horiz.	4
9285 898 05154	HP 140/120	11,000	1,850	6.5	120	14,800	1,407	1,439	22.0	1	235/235	stripped end	Horiz.	4

(*) UV irradiation measured perpendicular to lamp axis at 1 m distance with a relative spectral sensitivity according to IEC. UV-C is the wavelength range between 200-280 nm.

