

HMI 575 W/DXS

HMI | Metal halide lamps, double-ended



Technical data

Electrical data

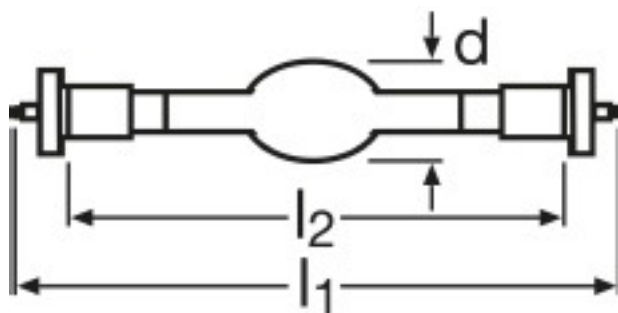
Nominal wattage	575 W
Nominal voltage	95 V
Nominal current	7.00 A

Light technical data

Luminous flux	49000 lm
Color temperature	6000 K

Dimensions & weight

Diameter	21.0 mm
Mounting length	115.0 mm
Length	135.0 mm



Product line drawing

Lifespan

Lifespan	1000 h
----------	--------

Additional product data

Base (standard designation)	SFc10-4
-----------------------------	---------



Burning position

Disclaimer

Subject to change without notice. Errors and omission excepted. Always make sure to use the most recent release.