

# GE Consumer & Industrial Specialty Lighting

## CSR/CSD – SE Cold Start Lamps - Product Information

The single ended range of compact source rare earth metal halide cold start lamps from GE can be used in a variety of applications requiring high luminance, reliability and excellent color characteristics.

GE is committed to deliver high performance, reliable products with their unique and innovative technologies. The strength of the GE brand name and service, complements the high quality range of lamps.

### FEATURES

- Excellent color rendering Ra from 70 –90+ and high CCT 5000-6000K with superior color stability
- Universal burn position
- Dimmable with stable color
- High efficiency with excellent lumen maintenance

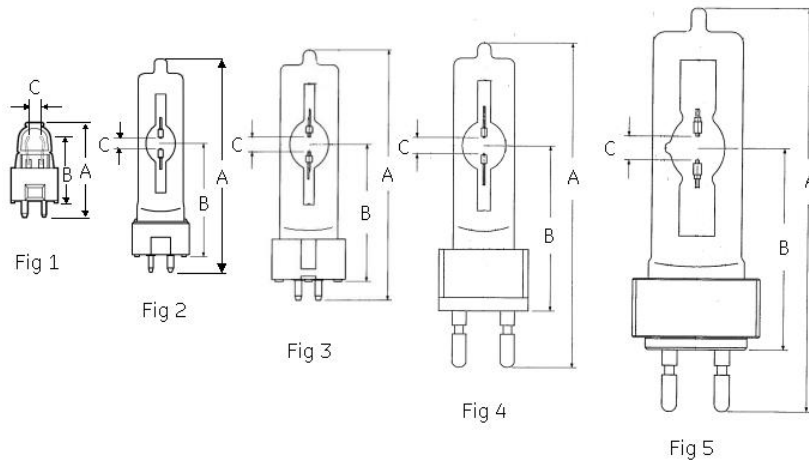
### APPLICATIONS

Stage, concert, sporting events, and entertainment venues using intelligent and moving lights.

### Lamp Specifications <sup>1</sup>

Type	Rated Power	Base	Lumens	Efficacy	Color Temp.	CRI	Chromaticity Coordinates		Burn Position	Rated Voltage	Average Rated Life	Product Code	Pack Size
	W						lm	lm/W					
CSR152/SE	150	GY9.5	10000	67	5000	70+	0.347	0.360	Any	95	2000	22862	10
CSD250/2/SE	250	GY9.5	18000	72	8500	70+	0.287	0.296	Any	94	2000	21328	10
CSR575/2/T/SE	575	GX9.5	49000	85	7200	80+	0.302	0.320	Any	97	1000	49492	10
CSR575/2/SE	575	GX9.5	49000	85	7200	80+	0.302	0.320	Any	97	1000	15378	10
CSR700/2/SE	700	G22	55000	79	7200	80+	0.302	0.320	Any	70	1000	49491	10
CSR1200/2/SE	1200	G22/30X53	110000	92	7200	85+	0.302	0.320	Any	100	800	49490	6

### Lamp Dimensions <sup>1</sup>



Type	A MOL	B LCL	C Arc Gap	Fig.
CSR152	46	30	7	1
CSD250/2/SE	108	55	5	2
CSR575/2/T/SE	125	65	7	3
CSR575/2/SE	125	65	7	3
CSR700/2/SE	155	75	8	4
CSR1200/2/SE	175	85	10	5

### Control Gear

For use with AC magnetic and electronic gear

### Lamp Safety and Operation

- Lamps operate at high internal pressures and should only be used in an enclosed fixture.
- Maximum allowable seal/pinch temperature is 350 °C
- Operating lamp above permissible temperature will significantly affect performance and constitutes a safety hazard.
- Luminaire cover lens should block UV radiation.

1) Specifications subject to change without notice