

Hi-Spot 120 Superia (PAR 38)

HS120 SU 240V 75W 10° E27 SV1

0021142



Product features

-



PRODUCT OVERVIEW

Lamp finish	Aluminium
Lamp shape	PAR 38
Colour temperature (K)	2900
CRI (Ra)	100
Dimmable	Yes
EAN code	5410288211428
Energy class	D
Equivalent watt (W)	93
Cap/Base	E27
Beam angle(°)	10
Type	Hi-Spot 120 Superia
Watt (Nominal) (W)	75
Light colour	829 Warm white
Ordering number	0021142
Average life (h) - L70/B50	3000
Luminous flux (Rated) (lm)	700
Technology	Halogen
Voltage (V)	240

DATA TABLE

General data

Average life (h) at Ta 25° C	3000
Control gear required	No
Lamp finish	Aluminium
Lamp shape	PAR 38
Dimmable	Yes

Hi-Spot 120 Superia (PAR 38)

HS120 SU 240V 75W 10° E27 SV1

0021142

EAN code	5410288211428
Energy class	D
Energy saving lamp	No
Fixture rating	Open
General application	Retail; Hospitality; Museums; Consumer; Residential;
IEC Reference	IEC 60357
IEC Reference 2	IEC 60432-2
IEC Reference 3	IEC 60630
Intended purpose	General lighting
Cap/Base	E27
Lamp mercury content (mg)	0
Type	Hi-Spot 120 Superia
No. of switching cycles before premature failure (min)	>12000
Ordering number	0021142
Product name	HS120 SU 240V 75W 10° E27 SV1
Average life (h) - L70/B50	3000
Special purpose lamp	No
Starting time (max) (s)	0
Technology	Halogen
Transformer required	No
Sales pack quantity	15
Warm-up time to 60% of full light (max) (s)	Instant Full Light
E-number SE	8355913
E-number FI	4749314
What temperature Life is measured at (°C):	25

Optical data

Colour temperature (K)	2900
CRI (Ra)	100
Beam angle(°)	10
Light colour	829 Warm white
Lumen maintenance at end of nominal life (%)	80
Luminous flux (Nominal) (lm)	700
Peak intensity (cd)	6900
Luminous flux (Rated) (lm)	700
Suitable for accent lighting	Yes
Beam angle (Rated) (°)	10

Hi-Spot 120 Superia (PAR 38)

HS120 SU 240V 75W 10° E27 SV1

0021142

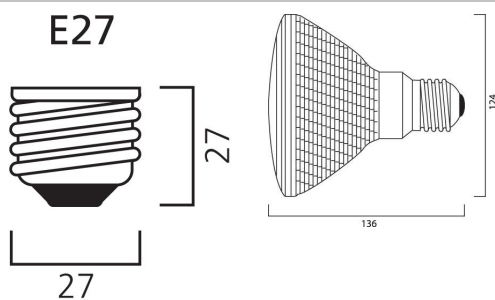
Electrical data

Current (A)	0.313
Equivalent watt (W)	93
kWh per 1000 hours burning time	75
Lamp power factor	1
Watt (Nominal) (W)	75
Watt (Rated) (W)	75
Voltage (V)	240

Physical data

Max. Lamp Diameter (mm) - D	122
Lamp Length (mm) - C/L	136
Single packaging type	Box/Sleeve
Weight (kg)	0.31
Lamp dimension equal to filament lamp equivalent	Yes
Designed for optimum use in non standard conditions	No
Outer package dimensions (L x W x H) (cm)	62.00 x 38.00 x 17.00
Single package dimensions (L x W x H) (cm)	14.00 x 11.40 x 11.40

TECHNICAL DRAWINGS



Hi-Spot 120 Superia (PAR 38)

HS120 SU 240V 75W 10° E27 SV1

0021142

