



PF318E



PF308E

Features

Argaphoto lamps have an internal white coating, which emits diffused uniform light. The colour temperature of 3200 K matches the sensitivity of film used by professional photographers.

PF318E and PF319E have internal mirrors and can be used without a separate reflector. The burning position of Argaphoto lamps is universal.

Applications

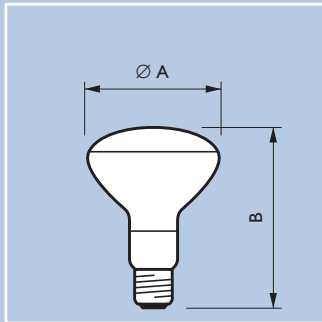
- General photographic, cine and video camera lighting for monochrome or colour films.



Type	Lamp wattage	Lamp voltage	Cap/base	Finish	ANSI code	LIF code	Lumen output	Colour temperature	Lamp life 50%	Ordering number
	W	V					lm	K	h	
PF319E/44	150	220	E27	REFL SAT FROST ¹⁾	-	-	-	3200	100	9232 191 42900
PF308E/21	500	220	E27	INS FROSTED ²⁾	-	P2/1	11000	3200	100	9205 204 42900
PF308E/21	500	240	E27	INS FROSTED ²⁾	-	P2/1	11000	3200	100	9205 204 45500
PF318E/44	500	220	E27	REFL SAT FROST ¹⁾	-	P2/3	-	3200	100	9232 190 42900
PF318E/44	500	240	E27	REFL SAT FROST ¹⁾	-	P2/3	-	3200	100	9232 190 45500

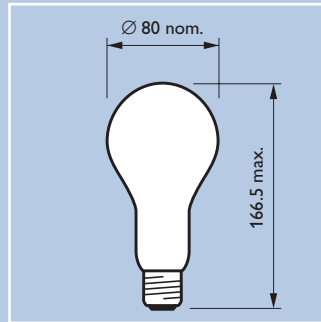
¹⁾ Reflector, satinated and frosted

²⁾ Inside frosted

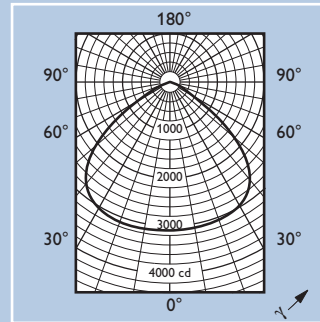


Dimensions in mm

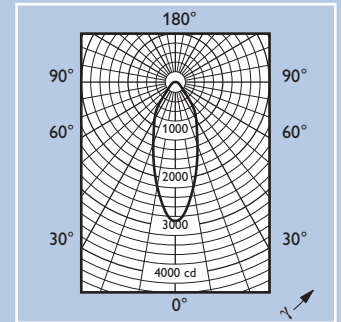
Type	A nom.	B max.
Cap/base E27		
PF318E	125.0	177.0
PF319E	95.0	135.0



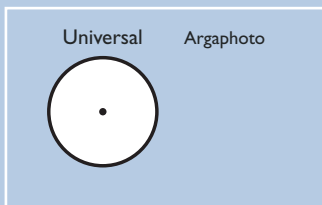
PF308E



PF318E



PF319E



Burning position