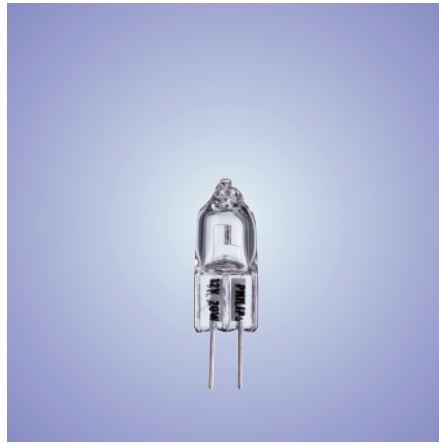




7387



14546 G4

Features

These low-voltage capsule lamps, the smallest quartz halogen lamps available, permit the use of compact, efficient optical systems in a variety of microprojection applications. As with all halogen lamps, they feature a constant, high light output during design lamp lifetime. Their excellent distortion-free quartz bulb and precisely defined filament position ensure optimal beam performance. The square filament lamp 5761 is specially designed for microscopes with computer read-out.

Applications

- Microscopes.
- Optical equipment.
- Slide and film viewers.
- Medical equipment.
- Industrial applications.



Type	ANSI code	LIF code	J code	Cap/base	Figure	Lamp voltage	Lamp wattage	Colour temp.	Burning position	Lumen output	Lamp life	Maximum permissible pinch temp. degr.C	Maximum permissible bulb temp. degr.C	Ordering number
						V	W	K		lm	h			
7387	ESA/FHD	M29	-	G4	1	6	10	3200	ANY	205	100	400	900	9238 745 10100
5972	-	M43	-	G4	1	6	10	3000	ANY	150	200	400	900	9238 754 10100
6605	-	M42	-	G4	1	6	10	2700	ANY	145	2000	350	900	9238 739 10100
7388	ESB	M30	-	G4	1	6	20	3200	ANY	475	100	400	900	9238 746 10100
12345	-	M35	-	G4	1	12	20	3100	ANY	420	400	400	900	9238 744 17100
5761	-	-	-	G4	1	6	30	3200	ANY	765	100	400	900	9239 311 10100
14546	-	-	-	G4	2	12	20	2900	ANY	350	2000	350	900	9240 431 17100

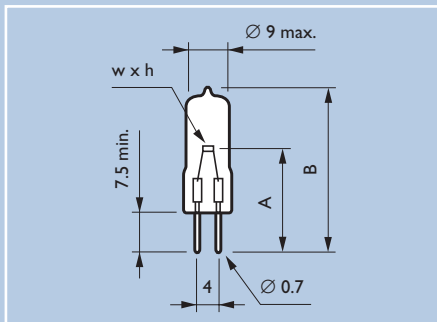


Fig. 1 Dimensions in mm

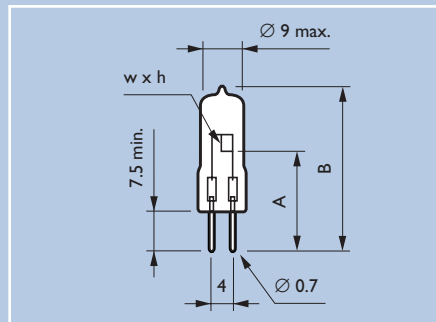


Fig. 2

Type	A	B max.	w x h	filament position
Cap/base G4				
7387	19.5 ± 0.25	31	2.0 × 0.5	transversal
5972	24.0 ± 0.2	38	1.1 × 0.7	transversal
6605	19.5 ± 0.25	31	3.0 × 0.5	transversal
7388	19.5 ± 0.25	31	1.6 × 0.6	transversal
12345	19.5 ± 0.25	31	2.9 × 1.5	transversal
5761	19.5 ± 0.25	31	1.5 × 1.5	transversal
14546	19.5 ± 0.25	32	2.8 × 1.0	axial