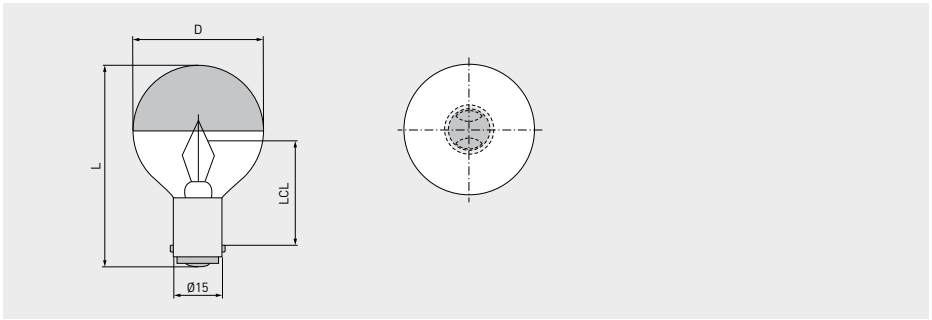


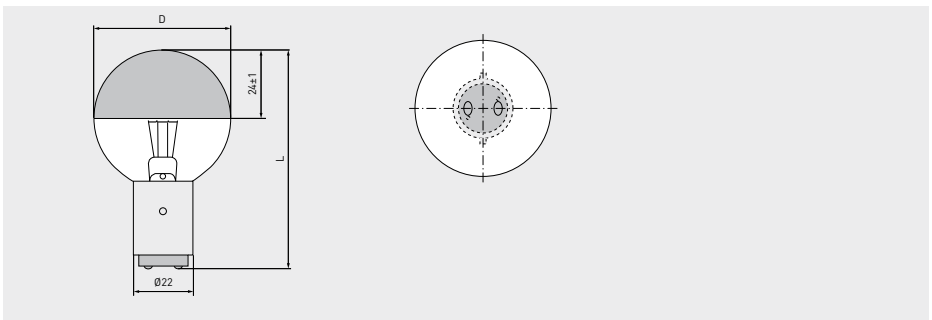
## Halogen Lamps

## Dental technology

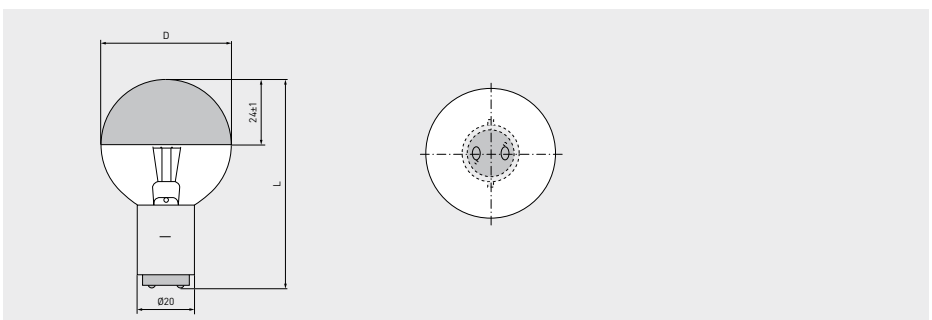
For special features, specific benefits and areas of use see page 104



Article no.	Description	V	W	Am- perage	Cap	Bulb diameter D mm	Total length L max. mm	Light centre length mm	Lumi- nous flux lm	Average life h	Individual life h	Burning position	PU
00936030	110V 30W BA15d/19	110	30		BA15d	40	63	35	280	600			



Article no.	Description	V	W	Am- perage	Cap	Bulb diameter D max. mm	Total length L max. mm	Light centre length mm	Luminous flux lm	Average life h	Individual life h	Burning position	PU
00936040	110V 50W BX22d	110	50		BX22d	50	86		500	600			
00936007	220-240V 50W BX22d	220-240	50		BX22d	50	82		370	1,000			
00936008	240V 50W BX22d	240	50		BX22d	50	82		370	1,000			



Article no.	Description	V	W	Am- perage	Cap	Bulb diameter D mm	Total length L max. mm	Light centre length mm	Lumi- nous flux lm	Average life h	Individual life h	Burning position	PU
00936021	230V 50W Ba20d/26 50x80 kv	230	50		BA20d	50	80		370	1,000			