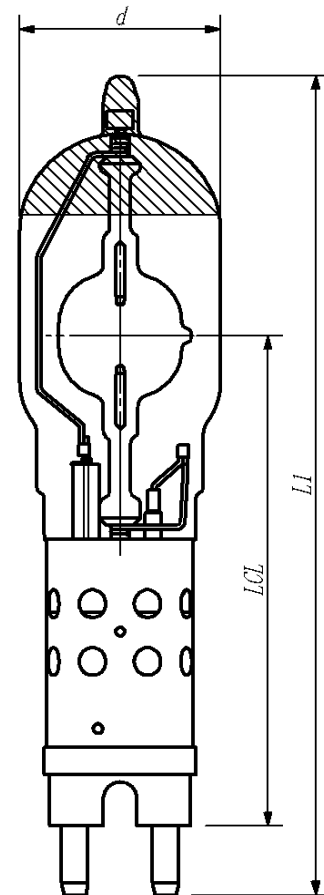


CSR Lamps

The GE CSR6000/SE/HR/UV-C lamp is the newest addition to the GE hot restrike line of entertainment metal halide lamps giving GE the most complete line of hot restrike lamps in the industry. This lamp is also a UV control lamp meaning that UV is reduced by over 85% vs. standard hot restrike lamps. The CSR6000/SE/HR/UV-C is used mainly in the film industry.

Product Description CSR6000/SE/HR/UV-C

Order Description	CSR6000/SE/HR/UV-C
Product Code	40492
Pack Quantity	6
Rated Wattage	6000W
Rated Voltage	130-10/+15V
Lamp Current	46A
Ignition Voltage	8/60
Lumens	540000
Lumens per watt	90
Ra	>90
Chromaticity	x 0.333
Coordinates	y 0.333
Color temperature	5600K
Arc Length (C)	26mm
Lamp length (A)	360mm
Light center length (B)	210mm
Lamp diameter	MAX \varnothing 86mm
Average rated life	300
Base	G38



Lamp Operation

Burn Position	Any
Maximum Seal Temperature	350°C
Cooling	Convection

Control Gear

The CSR6000/SE/HR/UV-C can be used on electronic or AC magnetic ballast/igniters control gear.



GE imagination at work

GE and General Electric are both registered trademarks of the General Electric Company, USA. © General Electric Company (USA) 2006

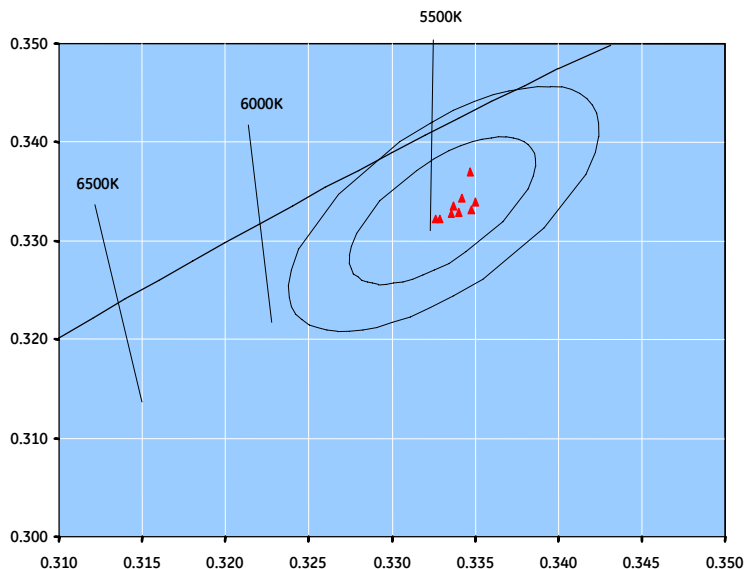
GE Consumer & Industrial Specialty Lighting is constantly developing and improving its products. For this reason, all product descriptions in this brochure are intended as a general guide, and we may change specifications time to time in the interest of product development, without prior notification or public announcement. All descriptions in this publication present only general particulars of the goods to which they refer and shall not form part of any contract. Data in this guide has been obtained in controlled experimental conditions. However, GE Lighting cannot accept any liability arising from the reliance on such data to the extent permitted by law.

CSR6000/SE/HR/UV-C - Data Sheet - September 2006

CSR Lamps

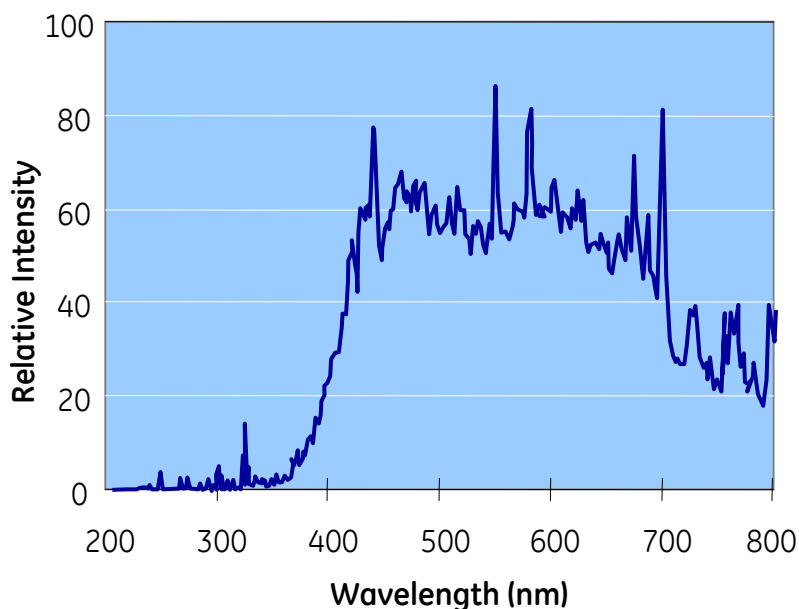
Color Control

The **GE CSR6000/SE/HR/UV-C** provides unrivalled color control per batch and between batches. All lamps produced operate far within the limits of perceptible color change.



Spectrum

The lamp employs a UV control outer jacket. This means that effective UV output is reduced by over 85% with UVB and UVC reduced by over 95%.



GE imagination at work

GE and General Electric are both registered trademarks of the General Electric Company, USA. © General Electric Company (USA) 2006

GE Consumer & Industrial Specialty Lighting is constantly developing and improving its products. For this reason, all product descriptions in this brochure are intended as a general guide, and we may change specifications time to time in the interest of product development, without prior notification or public announcement. All descriptions in this publication present only general particulars of the goods to which they refer and shall not form part of any contract. Data in this guide has been obtained in controlled experimental conditions. However, GE Lighting cannot accept any liability arising from the reliance on such data to the extent permitted by law.

CSR6000/SE/HR/UV-C - Data Sheet - September 2006