



MASTERColour CDM-R

MASTERColour CDM-R 70W/942 E27 PAR30L 40D 1CT

Range of compact, high-efficiency, discharge reflector lamps with a stable color over lifetime and a crisp, sparkling light

Product data

• General Characteristics

Cap-Base	E27
Bulb	PAR30L [PAR 3.75 inch/95mm Long]
Bulb Finish	Clear
Operating Position	any [Any or Universal (U)]
Life to 50% failures EL	12000 hr
Life to 5% failures EL	5000 hr
Life to 20% failures EL	8000 hr

• Light Technical Characteristics

Beam Description	Flood [Flood]
Beam Angle	40 D
Beam Angle Technical	27.4 (min), 36.5 (nom), 45.6 (max) D
Luminous Intensity	9000 cd
Color Code	942 [CCT of 4200K]
Color Rendering Index	93 Ra8
Color Designation (text)	Cool White
Color Temperature	4200 K
Color Temperature Technical	4195 K
Chromaticity Coordinate X	0.371 -
Chromaticity Coordinate Y	0.366 -
Luminous Flux Lamp EL	4300 Lm

• Electrical Characteristics

System Power EL	83 W
Lamp Wattage	70 W

Lamp Wattage EL	73 W
Lamp Voltage	88 V
Lamp Current EL	0.83 A
Ignition Time	30 (max) s
Run-up time 90%	3 (max) min
Re-ignition Time [min]	15 (max) min
Dimmable	No

• Environmental Characteristics

Mercury (Hg) Content	6.6 mg
----------------------	--------

• Luminaire Design Requirements

Cap-Base Temperature	200 (max) C
Bulb Temperature	300 (max) C

• Product Dimensions

Overall Length C	120 (nom), 123 (max) mm
Diameter D	95 (nom), 97 (max) mm

• Product Data

Order code	928089400630
Full product code	928089400630
Full product name	MASTERColour CDM-R 70W/942 E27 PAR30L 40D 1CT
Order product name	MASTERC CDM-R 70W/942 E27 PAR30L 40D 1CT
Pieces per pack	1
Packing configuration	6
Packs per outerbox	6

PHILIPS

sense and simplicity

MASTERColour CDM-R

Bar code on pack - EAN1 8711500207272
Bar code on outerbox - EAN3 8711500207289

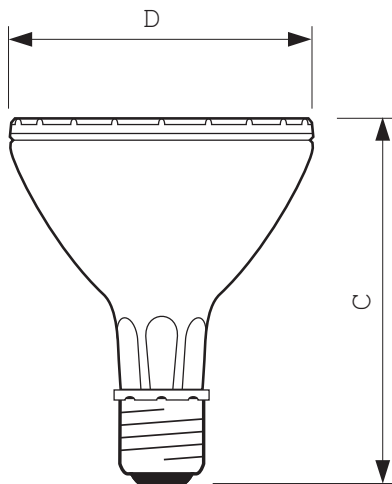
Logistic code(s) - 12NC 928089400630
ILCOS code MRS/UB-70/42/1A-H-E27
Net weight per piece 0.225 kg

Warnings and Safety

- Control gear must include end-of-life protection (IEC61167, IEC 62035)

- Use only with electronic control gear. Color 830 lamps may also use electromagnetic gear.

Dimensional drawing

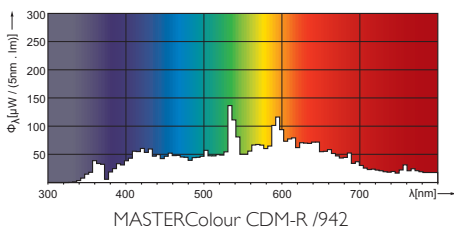


E27

CDM-R, PAR30L

Product	C (Norm)	C (Max)	D (Norm)	D (Max)
CDM-R 70W/942 E27 PAR30L 40D	120	123	95	97

Photometric data





© 2012 Koninklijke Philips Electronics N.V.
All rights reserved.

Specifications are subject to change without notice. Trademarks are the property of Koninklijke Philips Electronics N.V. or their respective owners.

www.philips.com/lighting

2012, September 29
data subject to change