



MASTERColour CDM-Rm Mini

MASTERColour CDM-Rm Mini 35W/942 GX10 MR16 15D

The easy way to reflect more sparkle The new Philips MASTERColour CDM-R mini brings trusted MASTERColour quality to 50mm reflector lamps with the superior output and colour stability to create the right atmosphere to match your customers' retail brand and positioning

Product data

• General Characteristics

Cap-Base	GX10
Bulb	MR16 [MR 16inch/50mm]
Bulb Finish	-
Operating Position	any [Any or Universal (U)]
Life to 5% failures	5000 hr
Life to 10% failures	6000 hr
Life to 20% failures	7000 hr
Life to 50% failures	9000 hr

• Light Technical Characteristics

Beam Description	-
Beam Angle	15 D
Beam Angle Technical	10 (min), 13 (nom), 16 (max) D
Luminous Intensity	12000 cd
Color Code	942 [CCT of 4200K]
Color Rendering Index	87 (min), 90 (nom) Ra8
Color Temperature	4200 K
Color Temperature Technical	4200 K
Chromaticity Coordinate X	0.377 -
Chromaticity Coordinate Y	0.373 -
Forward Luminous Output	1710 (min), 1900 (nom) Lm
Forward Lum Maintenance 2000h	85 %
Forward Lum Maintenance 4000h	80 %
Forward Lum Maintenance 8000h	75 %
Forward Lum Maintenance 12000h	70 %

Forward Luminous Efficacy	46 Lm/W
Design Mean Lumens EL	1550 Lm

• Electrical Characteristics

System Power EL	43 W
Lamp Wattage	35 W
Lamp Wattage EL	39 W
Lamp Voltage	85 V
Lamp Current EL	0.460 A
Ignition Time	30 (max) s
Run-up time 90%	3 (max) min
Re-ignition Time [min]	15 (max) min
Dimmable	No

• Environmental Characteristics

Mercury (Hg) Content	3.4 mg
----------------------	--------

• UV-related Characteristics

Damage Factor D/fc PET (NIOSH)	1 (max) - 8 (min) h500lx
--------------------------------	--------------------------

• Luminaire Design Requirements

Reflector Neck Temperature	315 (max) C
----------------------------	-------------

• Product Dimensions

Reference Length A	59 (max) mm
Overall Length C	65.4 (max) mm

MASTERColour CDM-Rm Mini

Overall Length Rim C1 60.9 (max) mm
 Diameter D 50 (nom), 50.7 (max) mm

Pieces per pack 1
 Packing configuration 12
 Packs per outerbox 12
 Bar code on pack - EAN1 8727900954739
 Bar code on outerbox - EAN3 8727900954746
 Logistic code(s) - 12NC 928192605330
 Net weight per piece 0.047 kg

• **Product Data**

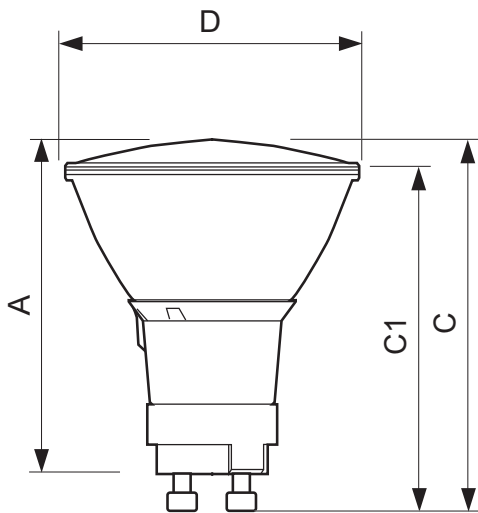
Order code 928192605330
 Full product code 928192605330
 Full product name MASTERColour CDM-Rm Mini 35W/942 GX10 MR16 15D
 Order product name MC CDM-Rm Mini 35W/942 GX10 MR16 15D

Warnings and Safety

- Use only with electronic control gear

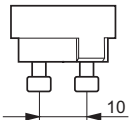
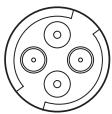
- Control gear must include end-of-life protection (IEC61167, IEC 62035)

Dimensional drawing

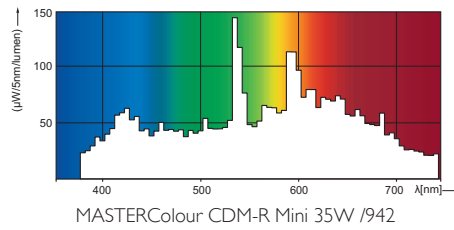
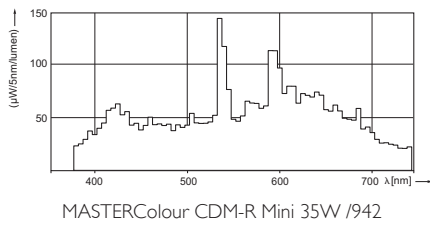


CDM-Rm, GX10, MR16

Product	A (Max)	C (Norm)	C (Max)	C1 (Max)	D (Norm)	D (Max)
CDM-Rm 35W/942 GX10 MR16 15D	59	-	65.4	60.9	50	50.7



Photometric data



© 2011 Koninklijke Philips Electronics N.V.
All rights reserved.

Specifications are subject to change without notice. Trademarks are the property of Koninklijke Philips Electronics N.V. or their respective owners.

www.philips.com/lighting

2011, November 25
data subject to change