



# MASTERColour CDM-Rm Mini

MASTERColour CDM-Rm Mini 20W/830 GX10 MR16 10D

The easy way to reflect more sparkle The new Philips MASTERColour CDM-R mini brings trusted MASTERColour quality to 50mm reflector lamps with the superior output and colour stability to create the right atmosphere to match your customers' retail brand and positioning

## Product data

### • General Characteristics

Cap-Base	GX10
Bulb	MR16 [MR 16inch/50mm]
Bulb Finish	-
Operating Position	any [Any or Universal (U)]
Life to 5% failures	9000 hr
Life to 10% failures	10000 hr
Life to 20% failures	12000 hr
Life to 50% failures	15000 hr

### • Light Technical Characteristics

Beam Description	-
Beam Angle	10 D
Beam Angle Technical	7.5 (min), 10 (nom), 12.5 (max) D
Luminous Intensity	13500 cd
Color Code	830 [CCT of 3000K]
Color Rendering Index	81 (min), 84 (nom) Ra8
Color Temperature	3000 K
Color Temperature Technical	3000 K
Chromaticity Coordinate X	0.440 -
Chromaticity Coordinate Y	0.400 -
Forward Luminous Output	945 (min), 1050 (nom) Lm
Forward Lum Maintenance 2000h	92 %
Forward Lum Maintenance 4000h	85 %
Forward Lum Maintenance 8000h	78 %
Forward Lum Maintenance 12000h	75 %

Forward Lum Maintenance 15000h	70 %
Forward Luminous Efficacy	53 Lm/W
Design Mean Lumens EL	850 Lm

### • Electrical Characteristics

System Power EL	23.5 W
Lamp Wattage	20 W
Lamp Wattage EL	20 W
Lamp Voltage	93 V
Lamp Current EL	0.215 A
Ignition Time	30 (max) s
Run-up time 90%	3 (max) min
Re-ignition Time [min]	15 (max) min
Dimmable	No

### • Environmental Characteristics

Mercury (Hg) Content	3.35 mg
----------------------	---------

### • UV-related Characteristics

Damage Factor D/fc PET (NIOSH)	0.5 (max) - 8 (min) h500lx
--------------------------------	----------------------------

### • Luminaire Design Requirements

Reflector Neck Temperature	215 (max) C
----------------------------	-------------

# MASTERColour CDM-Rm Mini

## • Product Dimensions

Reference Length A	59 (max) mm
Overall Length C	65.4 (max) mm
Overall Length Rim C1	60.9 (max) mm
Diameter D	50 (nom), 50.7 (max) mm

## • Product Data

Order code	928191005330
Full product code	928191005330
Full product name	MASTERColour CDM-Rm Mini 20W/830 GX10 MR16 10D

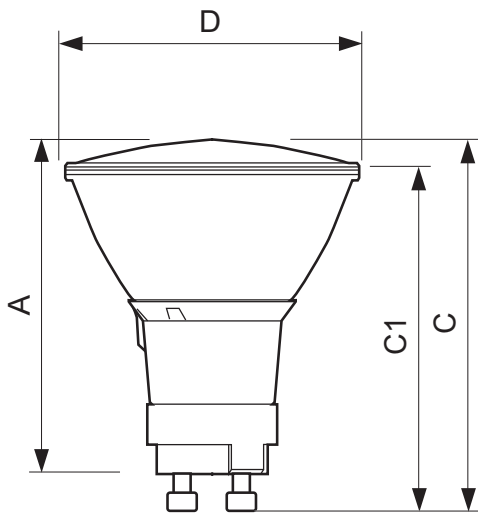
Order product name	CDM-Rm Mini 20W/830 GX10 MR16 10D
Pieces per pack	1
Packing configuration	6
Packs per outerbox	6
Bar code on pack - EAN1	8727900912289
Bar code on outerbox - EAN3	8727900912296
Logistic code(s) - 12NC	928191005330
ILCOS code	MRS/UB-20/30/1B-H-GX10
Net weight per piece	24.170 gr

## Warnings and Safety

- Use only with electronic control gear

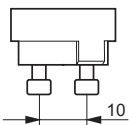
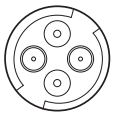
- Control gear must include end-of-life protection (IEC61167, IEC 62035)

## Dimensional drawing

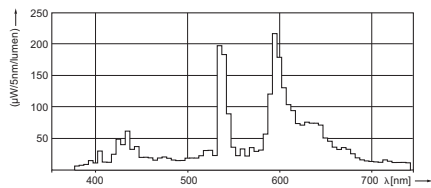


## CDM-Rm, GX10, MR16

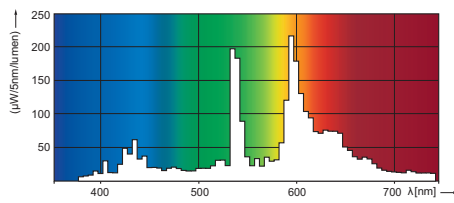
Product	A (Max)	C (Norm)	C (Max)	C1 (Max)	D (Norm)	D (Max)
CDM-Rm 20W/830 GX10 MR16 10D	59	-	65.4	60.9	50	50.7



## Photometric data



MASTERColour CDM-R Mini /830



MASTERColour CDM-R Mini 20W /830



© 2011 Koninklijke Philips Electronics N.V.  
All rights reserved.

Specifications are subject to change without notice. Trademarks are the property of Koninklijke Philips Electronics N.V. or their respective owners.

[www.philips.com/lighting](http://www.philips.com/lighting)

2011, November 25  
data subject to change