



MASTERColour CDM-Rm Elite Mini

MASTERColour CDM-Rm Elite Mini 50W/930 GX10 MR16 40D

Mini, very high-efficiency Ceramic Metal Halide discharge reflector lamp producing crisp white sparkling light with high color rendering

Product data

• General Characteristics

Cap-Base	GX10
Bulb	MR16 [MR 16inch/50mm]
Bulb Finish	-
Operating Position	any [Any or Universal (U)]
Life to 5% failures	6000 hr
Life to 10% failures	7500 hr
Life to 20% failures	9000 hr
Life to 50% failures	12000 hr

• Light Technical Characteristics

Beam Description	-
Beam Angle	40 D
Beam Angle Technical	27 (min), 36 (nom), 45 (max) D
Luminous Intensity	7000 cd
Color Code	930 [CCT of 3000K]
Color Rendering Index	87 (min), 90 (nom) Ra8
Color Temperature	3000 K
Color Temperature Technical	3000 K
Chromaticity Coordinate X	0.441 -
Chromaticity Coordinate Y	0.406 -
Forward Luminous Output	3060 (min), 3400 (nom) Lm
Forward Lum Maintenance 2000h	92 %
Forward Lum Maintenance 4000h	85 %
Forward Lum Maintenance 8000h	78 %
Forward Lum Maintenance 12000h	75 %

Forward Luminous Efficacy	68 Lm/W
Design Mean Lumens EL	3200 Lm

• Electrical Characteristics

System Power EL	56 W
Lamp Wattage	50 W
Lamp Wattage EL	50 W
Lamp Voltage	89 V
Lamp Current EL	0.575 A
Ignition Time	30 (max) s
Run-up time 90%	3 (max) min
Re-ignition Time [min]	15 (max) min
Dimmable	No

• Environmental Characteristics

Mercury (Hg) Content	6.4 mg
----------------------	--------

• UV-related Characteristics

Damage Factor D/fc PET (NIOSH)	0.50 (max) - 8 (min) h500lx
--------------------------------	-----------------------------

• Luminaire Design Requirements

Reflector Neck Temperature	315 (max) C
----------------------------	-------------

• Product Dimensions

Reference Length A	59 (max) mm
Overall Length C	65.4 (max) mm

PHILIPS
sense and simplicity

MASTERColour CDM-Rm Elite Mini

Overall Length Rim C1 60.9 (max) mm
 Diameter D 50 (nom), 50.7 (max) mm

Pieces per pack 1
 Packing configuration 12
 Packs per outerbox 12
 Bar code on pack - EAN1 8718291120940
 Bar code on outerbox - EAN3 8718291120957
 Logistic code(s) - 12NC 928193305330
 Net weight per piece 0.047 kg

• **Product Data**

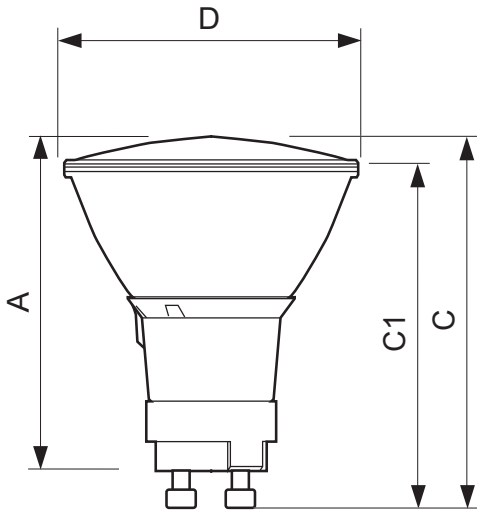
Order code 928193305330
 Full product code 928193305330
 Full product name MASTERColour CDM-Rm Elite Mini 50W/930 GX10 MR16 40D
 Order product name CDM-Rm Elite Mini 50W/930 GX10 MR16 40D

Warnings and Safety

- Use only with electronic control gear

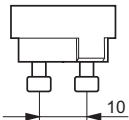
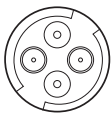
- Control gear must include end-of-life protection (IEC61167, IEC 62035)

Dimensional drawing

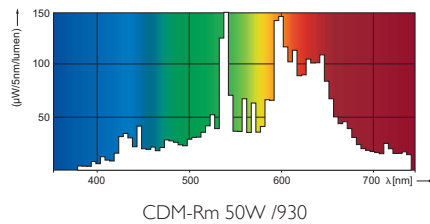
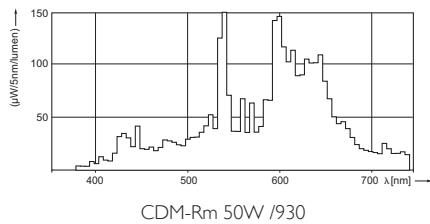


CDM-Rm, GX10, MR16

Product	A (Max)	C (Norm)	C (Max)	C1 (Max)	D (Norm)	D (Max)
CDM-Rm 50W/930 GX10 MR16 40D	59	-	65.4	60.9	50	50.7



Photometric data



© 2011 Koninklijke Philips Electronics N.V.
All rights reserved.

Specifications are subject to change without notice. Trademarks are the property of Koninklijke Philips Electronics N.V. or their respective owners.

www.philips.com/lighting

2011, November 25
data subject to change