



MASTERColor CDM-Rm Elite Mini

MASTERColor CDM-Rm Elite Mini 35W/930 GX10 MR16 10D

The Elite family is at the very top of the MasterColor CDM range, and gives a unique combination of unbeatable light quality and consistent performance over lifetime, while keeping running costs low. The MasterColor DCM Elite MR16 combines the familiar compact shape of MR16 halogen lamps with the performance of ceramic metal halide MasterColor Elite lamps. Suited for accent/decorative lighting, general lighting and downlighting in retail applications; or for outdoor landscaping and architectural effects.

Product data

• General Characteristics

Base	GX10
Bulb	MR16 [MR 16inch/50mm]
Bulb Finish	-
Operating Position	Universal [Any or Universal (U)]
Life to 5% failures	9000 hr
Life to 10% failures	10000 hr
Life to 20% failures	12000 hr
RatedAvgLife(See Family Notes)	15000 hr

• Light Technical Characteristics

Beam Description	-
Beam Angle	10 D
Beam Angle Technical	9 (min), 12 (nom), 15 (max) D
Approx. MBCP	20000 cd
Color Code	930 [CCT of 3000K]
Color Rendering Index	90 (min), 91 (nom) Ra8
Color Temperature	3000 K
Color Temperature technical	3000 K
Forward Luminous Output	2200 (min), 2400 (nom) Lm
Forward Luminous Efficacy	61.5 Lm/W
Forward Lum Maintenance 2000h	95 %
Forward Lum Maintenance 4000h	93 %
Forward Lum Maintenance 8000h	90 %
Forward Lum Maintenance 12000h	87 %

Forward Lum Maintenance 15000h	86 %
Design Mean Lumens EL	2200 Lm
Chromaticity Coordinate X	0.439 -
Chromaticity Coordinate Y	0.403 -

• Electrical Characteristics

System Power EL	43 W
Watts	35 W
Lamp Wattage EL	39 W
Lamp Voltage	87 V
Lamp Current EL	0.450 A
Ignition Time	30 (max) s
Run-up time 90%	3 (max) min
Re-ignition Time [min]	15 (max) min
Dimmable	No

• Environmental Characteristics

Mercury (Hg) Content	4.7 mg
----------------------	--------

• UV-related Characteristics

Damage Factor D/fc PET (NIOSH)	0.4 (max) - 8 (min) h500lx
--------------------------------	----------------------------

• Luminaire Design Requirements

Reflector Neck Temperature	315 (max) C
----------------------------	-------------

PHILIPS

MASTERColor CDM-Rm Elite Mini

Product Dimensions

Reference Length A	59 (max) mm
Overall Length C	65.4 (max) mm
Overall Length Rim C1	60.9 (max) mm
Diameter D	50 (nom), 50.7 (max) mm

Product Data

Product number	418939
Full product name	MASTERColor® CDM-Rm Elite Mini 35W/930 GX10 MR16 10D

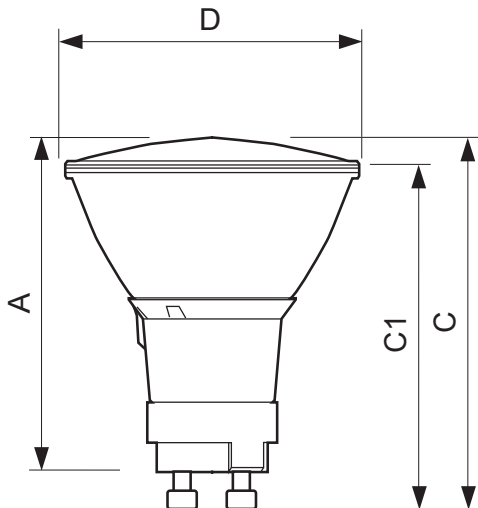
Short product name	CDM-Rm Elite Mini 35W/930 GX10 MR16 10D
Pieces per Sku	1
eop_pck_cfg	12
Skus/Case	12
Bar code on pack	46677418939
Bar code on case	50046677418934
Logistics code(s)	928194605315
tpd_ilcos_cd	MRS/UB-35/30/1A-H-GX10
eop_net_weight_pp	0.048 kg

Warnings and Safety

- R "WARNING: These lamps can cause serious skin burn and eye inflammation from short wave ultraviolet radiation if outer envelope of the lamp is broken or punctured. Do not use where people will

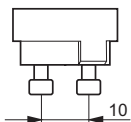
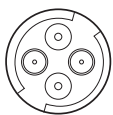
remain for more than a few minutes unless adequate shielding or other safety precautions are used. Certain lamps that will automatically extinguish when the outer envelope is broken or punctured are commercially available." This lamp complies with FDA radiation performance standard 21 CFR subchapter J. (USA:21 CFR 1040.30 Canada: SOR/DORS/80-381)

Dimensional drawing



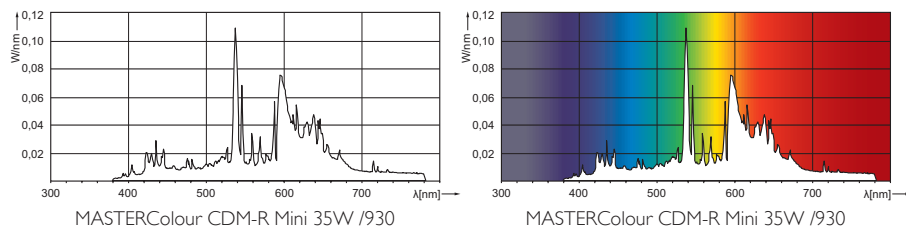
MASTERColor CDM-Rm Elite Mini 35W/930 GX10 MR16 10D

Product	A (Max)	C (Norm)	C (Max)	C1 (Max)	D (Norm)	D (Max)
CDM-Rm 35W/930 GX10 MR16 10D	59	-	65.4	60.9	50	50.7



GX10

Photometric data



© 2013 Koninklijke Philips N.V. (Royal Philips)
All rights reserved.

Specifications are subject to change without notice. Trademarks are the property of Koninklijke Philips N.V. (Royal Philips) or their respective owners.

www.philips.com/lighting

2013, June 21
data subject to change