

HID-HeavyDuty BSN semi-parallel for SON/CDO/MH/HPI

BSN 400 L34-TS 240V 50Hz HD3-166

Encapsulated electromagnetic copper/iron ballasts for use with an external semi-parallel ignitor for CDM, CDO, MH, HPI (Plus) and SON lamps

Product data

• General Information

Design	HD3-166
Lamp type	SON/HPI
Number of lamps	1 piece/unit

• Operating and Electrical

Input voltage	240 V
Input frequency	50 Hz
Power factor 100% load (nom.)	0.87
Mains voltage performance (AC)	-8%+6%
Mains voltage safety (AC)	-10%+10%
Input current with PF correction	2.20 A
Input current without PF Correction	4.45 A
Power factor without PF compensation (nom.)	0.40
Power losses (nom.)	32.0 W

• Wiring

Wire strip length	7.0 mm
Connector type	Screw

• System characteristics

Capacitor	45µF/250V
-----------	-----------

Recommended ignitor

for SON/CDO lamps ignitor SN 58 (913619579966) OR SND 58 (913700185166)

• Temperature

T storage (max.)	130 °C
T storage (min.)	-30 °C
T winding (max.)	130 °C
Delta-T normal conditions	70 °C

• Approval and Application

Active temperature protection	Yes
-------------------------------	-----

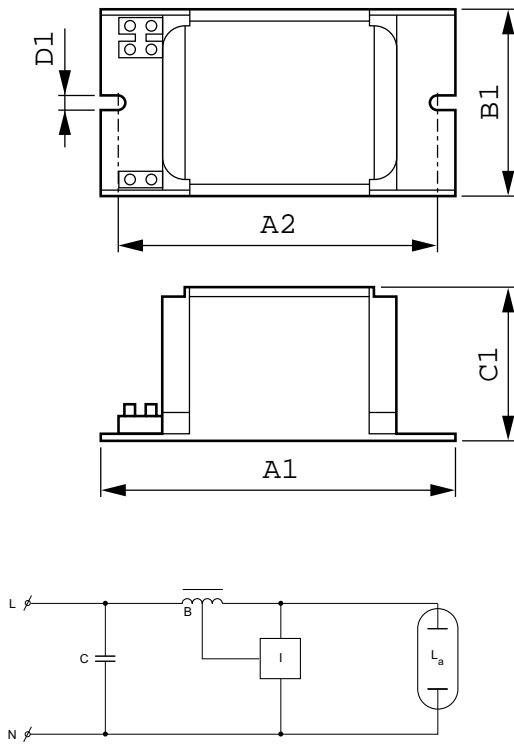
• Product Data

Full product code	871150005978930
Order product name	BSN 400 L34-TS 240V 50Hz HD3-166
EAN/UPC – product	8711500059789
Order code	05978930
Local Code	BSN400L34TS
Numerator – quantity per pack	1
Numerator – packs per outer box	4
Material no. (12NC)	913700227026
Net weight (piece)	4.550 kg

PHILIPS

HID-HeavyDuty BSN semi-parallel for SON/CDO/MH/HPI

Dimensional drawing



BSN 400 L34-TS 240V 50Hz HD3-166

Product	D1	C1	A1	A2	B1
BSN 400 L34-TS 240V 50Hz HD3-166	6.2 mm	84.0 mm	166.0 mm	147.5 mm	102.0 mm



© 2016 Philips Lighting Holding B.V.
All rights reserved.

Specifications are subject to change without notice. Trademarks are the property of Koninklijke Philips N.V. (Royal Philips) or their respective owners.

www.philips.com/lighting

2016, January 12
data subject to change