



Brilliantline Pro 50W GU5.3 12V 36D 1CT

Product family description
Low-voltage, xenon gas-filled halogen
burner with axial filament optically
positioned in a glass reflector

Product Features

- High-intensity beam with a clearly defined beam spread
- Reflector has a light-reflecting, light-transmitting hard dichroic coating
- Constant high quality and aesthetics maintained over lifetime
- Wide range of 35mm and 50 mm types
- UV-Block front glass
- Excellent colour rendering
- GU5.3 or GU4 base for extra retention in luminaire

Product Benefits

- Cool beam as a large part of the heat generated is transmitted backwards through the back glass

Application

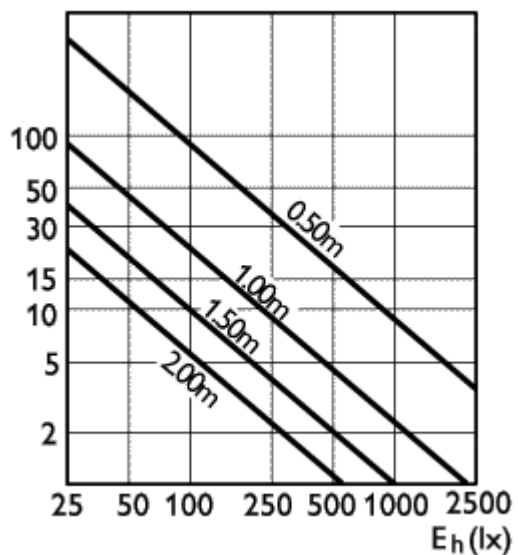
- Ideally suited for accent, task and decorative lighting in shops, stores, hotels, restaurants etc.

Luminaires

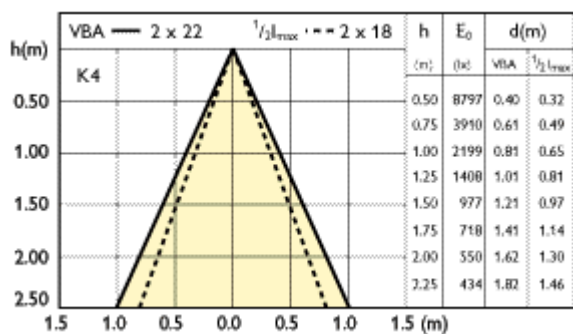
- Can be used in luminaires without a front glass in accordance with IEC 598

Product data	
Order code	425164 60
Full product code	871150042516460
Full product name	Brilliantline Pro 50W GU5.3 12V 36D 1CT
Order product name	Brill Pro 50W GU5.3 12V 36D 1CT/10X5F
Packing type	1 Lamp in a Folding Carton
Pieces per pack	1
Packing configuration	10X5F
Packs per outerbox	50
Bar code on pack - EAN1	8711500425164
Bar code on intermediate packing - EAN2	8711500425171
Bar code on outerbox - EAN3	8711500425188
Logistic code(s) - 12NC	9240 510 17105
ILCOS code	HRGS- 50- 12- GU5.3- 50/36
Net weight per piece	31.000 (GR)
Successor order code	
Rated Lamp Wattage[W]	50W
Cap- Base	GU5.3
Voltage[V]	12V
Beam Angle[D]	36D
Philips Code	14620
ANSI Code Halogen	EXN

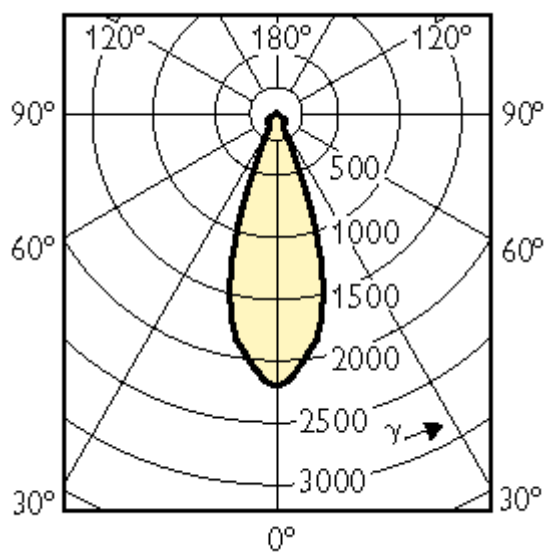
Product data	
Bulb	MR16[MR 16inch/50mm]
Bulb Finish	Clear
Burning Position	any[Any/Universal]
Luminous Intensity[cd]	2200
Colour Rendering Index[Ra8]	100
Colour Temperature[K]	3000



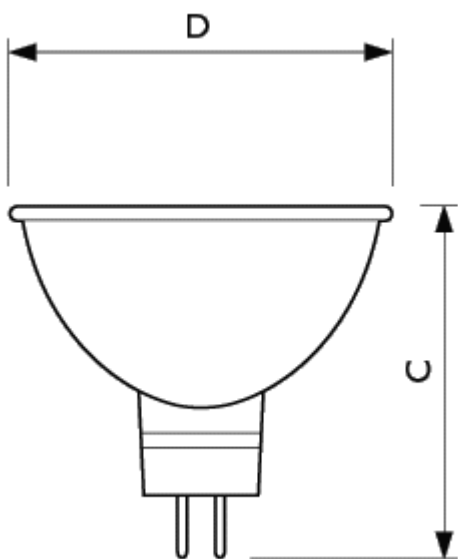
Brill Pro 50W 36D



Brill Pro 50W 36D



il
Brill Pro 50W 36D



Brill Pro Pro GU5.3

	C	D
Full product name	Max	Max
Brilliantline Pro 50W GU5.3 12V 36D 1CT	46	51

