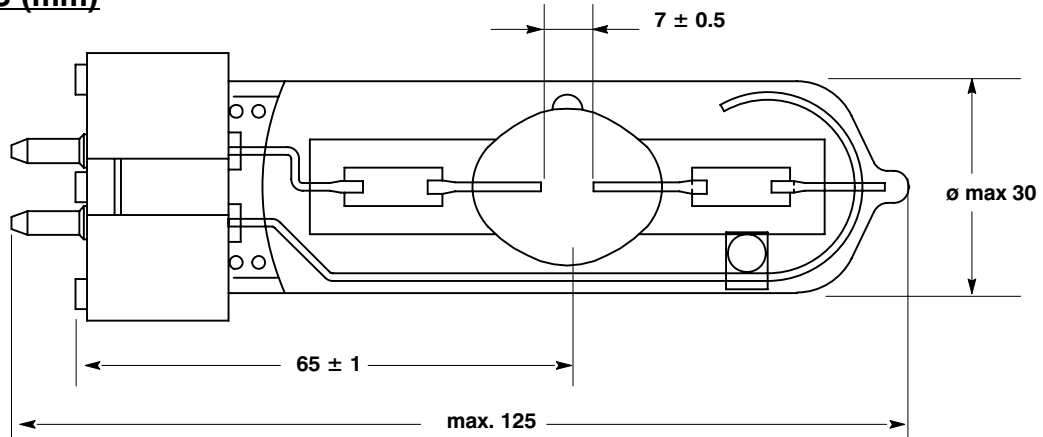

DIMENSIONS (mm)


Cap : GX9.5 (IEC 61—sheet 7004—70A—1)
 Bulb : Quartz glass

ELECTRICAL DATA:		NOMINAL VALUE	MIN.	MAX.
Lamp wattage	(W) :	575		600
Lamp voltage	(V) :	95	85	105
Lamp current	(A) :	6.95		8

OPERATING CONDITIONS:

Burning position	:	universal		
Starting voltage peak	(kV) :		2.2	5
Pinch temperature	(°C) :			350
Bulb temperature	(°C) :			700

LAMP LIFE

Average life*	(h) :	1000		
Replacement time**	(h) :			1200

* Cycle : 3 hours ON, ½ hour off at rated wattage
 ** Increasing shattering risk

PHOTOMETRIC DATA* :**

Initial luminous flux	(lm) :	44 000		
Luminous efficacy	(lm/W) :	75		
Correlated colour temperature	(K) :	8500		
Specific Effective UV—power	(mW/klm) :			200
Colour rendering index	(class) :	1b		

*** Measurement at nominal wattage in horizontal position

ATTENTION : The lamp must be operated in a suitably enclosed fitting. Due to the high operating pressure inside the lamp, the possibility exists that in extreme circumstances the lamp might shatter. The lamp should not be operated with a broken or damaged outer envelope. The lamp generates UV—radiation. Read the safety instructions packed with the lamp. Lamps comply with the requirements of IEC publication 62035.

Issued by : TIENEN
 Date : 06.11.1998
 Revision date : 13.10.2004

DATA SHEET

Specification No. : 44—BA—0024000/D
 Supersedes : 44—60—577/C 09.01.2003
 Page 1 of 1