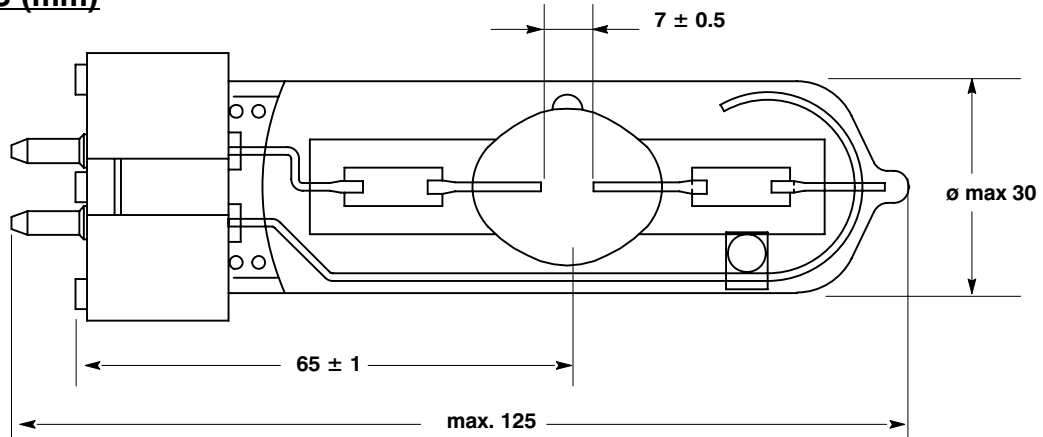




DIMENSIONS (mm)



Cap : GX9.5 (IEC 61—sheet 7004—70A—1)
 Bulb : Quartz glass

ELECTRICAL DATA:		NOMINAL VALUE	MIN.	MAX.
Lamp wattage	(W) :	575		600
Lamp voltage	(V) :	95	85	105
Lamp current	(A) :	6.95		8

OPERATING CONDITIONS:

Burning position	:	universal		
Starting voltage peak	(kV) :		2.2	5
Pinch temperature	(°C) :			350
Bulb temperature	(°C) :			700

LAMP LIFE

Average life*	(h) :	1000		
Replacement time**	(h) :			1200

* Cycle : 3 hours ON, ½ hour off at rated wattage
 ** Increasing shattering risk

PHOTOMETRIC DATA*** :

Initial luminous flux	(lm) :	45 000		
Luminous efficacy	(lm/W) :	78		
Correlated colour temperature	(K) :	7200		
Specific Effective UV—power	(mW/klm) :			200
Colour rendering index	(class) :	1b		

*** Measurement at nominal wattage in horizontal position

ATTENTION : The lamp must be operated in a suitably enclosed fitting. Due to the high operating pressure inside the lamp, the possibility exists that in extreme circumstances the lamp might shatter. The lamp should not be operated with a broken or damaged outer envelope. The lamp generates UV—radiation. Read the safety instructions packed with the lamp. Lamps comply with the requirements of IEC publication 62035.

Issued by : TIENEN Date : 06.11.1998 Revision date : 13.10.2004	DATA SHEET	Specification No. : 44—BA—0024002/B Supersedes : 44—60—579/A 06.01.2003 Page 1 of 1
---	------------	---