



Aluline 50W 12V R56 10D CL 1CT

Product family description

Low- voltage halogen burner in a lightweight, high- gloss anodised aluminium reflector giving a white halogen light

Product Features

- Integrated protective front glass
- Choice of clear or frosted glass
- High- intensity beam with an extremely clearly defined beam spread (clear glass versions only)
- Excellent colour rendering

Product Benefits

- Excellent accent lighting effects due to reduced

spill light (clear versions only)

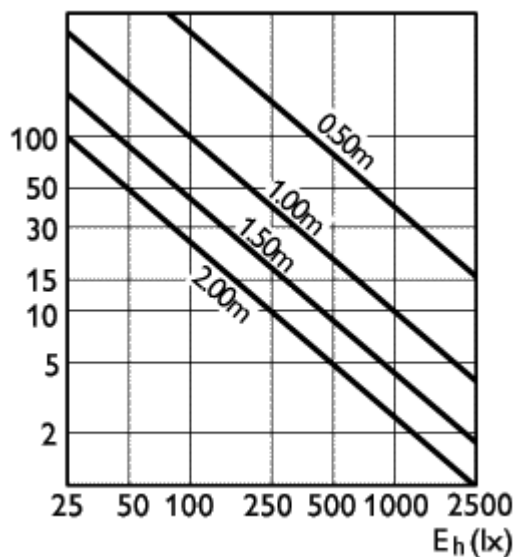
Application

- Excellent light source for accent and general lighting in shops, home, restaurants, galleries, exhibitions and museums

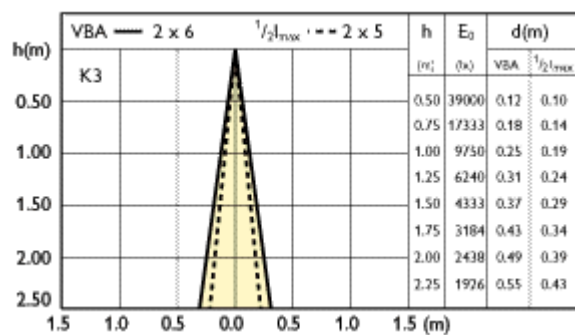
Product data

| | |
|---|--|
| Order code | 402004 60 |
| Full product code | 871150040200460 |
| Full product name | Aluline 50W 12V R56 10D CL 1CT |
| Order product name | Aluline 50W 12V R56 10D CL 1CT/10X5F |
| Packing type | 1 Lamp in a Folding Carton |
| Pieces per pack | 1 |
| Packing configuration | 10X5F |
| Packs per outerbox | 50 |
| Bar code on pack - EAN1 | 8711500402004 |
| Bar code on intermediate packing - EAN2 | 8711500415981 |
| Bar code on outerbox - EAN3 | 8711500415998 |
| Logistic code(s) - 12NC | 9238 839 17103 9238 839 171059238 839 17123 9238 839 171259238 839 17139 |
| ILCOS code | HMGI- 50- 12- B15d- 56/10 |
| Net weight per piece | 0.039 (KG) |
| Successor order code | |
| Rated Lamp Wattage[W] | 50W |
| Voltage[V] | 12V |
| Bulb | R56 [R 56mm] |
| Beam Angle[D] | 10D |
| Bulb Finish | CL [Clear] |
| Philips Code | 6438 |
| ANSI Code Halogen | GBJ |

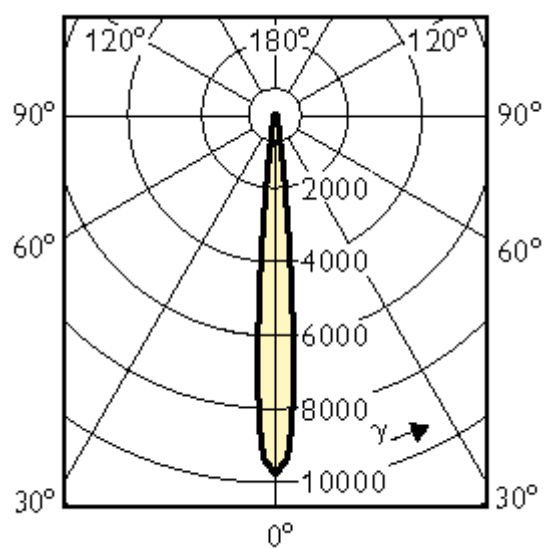
| Product data | |
|------------------------------|--------------------|
| Cap- Base | SBC[SBC] |
| Cap- Base Information | 24X17 |
| Burning Position | any[Any/Universal] |
| Luminous Intensity[cd] | 12000 |
| Colour Rendering Index[Ra8] | 100 |
| Colour Temperature[K] | 3000 |



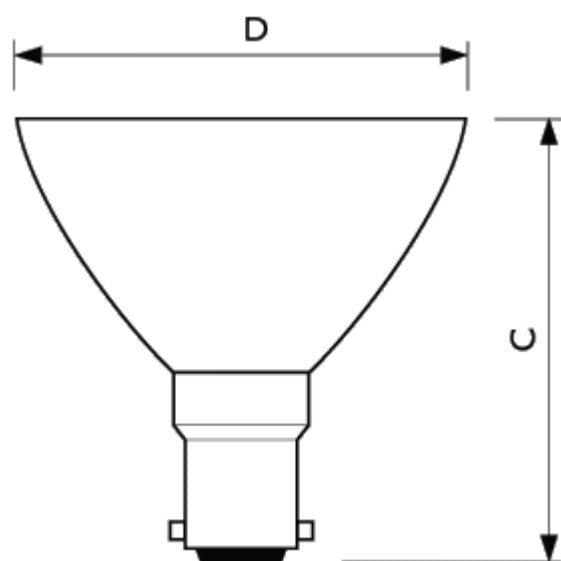
Aluline 50W 10D



Aluline 50W 10D



Aluline 50W 10D



Aluline 56mm

| | C | D |
|-----------------------------------|-----|-----|
| Full product name | Max | Max |
| Aluline 50W 12V R56 10D CL 1CT | 58 | 58 |

