



# MASTER CosmoWhite CPO-TW & CPO-TW Xtra

## MASTER CosmoWhite CPO-TW Xtra 90W/728 PGZ12

New-generation ceramic metal halide lamps used in Outdoor offering efficient and pleasant white light

### Warnings and Safety

- Use only in totally enclosed luminaire, even during testing (IEC61167, IEC 62035, IEC60598)
- The luminaire must be able to contain hot lamp parts if the lamp ruptures
- Use only with electronic control gear
- Control gear must include end-of-life protection (IEC61167, IEC 62035)
- A lamp breaking is extremely unlikely to have any impact on your health. If a lamp breaks, ventilate the room for 30 minutes and remove the parts, preferably with gloves. Put them in a sealed plastic bag and take it to your local waste facilities for recycling. Do not use a vacuum cleaner.

### Product data

General information	
Cap-Base	PGZ12 [ PGZ12]
Operating Position	UNIVERSAL [ Any or Universal (U)]
Life to 5% Failures (Nom)	21500 h
Life To 10% Failures (Nom)	24000 h
Life to 20% Failures (Nom)	27000 h
Life to 50% Failures (Nom)	32000 h
ANSI Code HID	C188/E
LSF 2000 h Rated	99 %
LSF 4000 h Rated	99 %

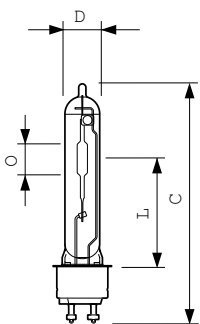
LSF 6000 h Rated	99 %
LSF 8000 h Rated	99 %
LSF 12000 h Rated	99 %
LSF 16000 h Rated	99 %
LSF 20000 h Rated	97 %
LSF 24000 h Rated	90 %
LSF 30000 h Rated	63 %
Flux measurement reference	Sphere

# MASTER CosmoWhite CPO-TW & CPO-TW Xtra

Light technical	
Color Code	728 [ CCT of 2800K]
Luminous Flux (Nom)	10800 lm
Luminous Flux (Rated) (Nom)	10800 lm
Color Designation	White (WH)
Chromaticity Coordinate X (Nom)	0.447
Chromaticity Coordinate Y (Nom)	0.4
Correlated Color Temperature (Nom)	2800 K
Luminous Efficacy (rated) (Nom)	120 lm/W
Color Rendering Index (Min)	67
Color Rendering Index (Nom)	70
LLMF 2000 h Rated	94 %
LLMF 4000 h Rated	93 %
LLMF 6000 h Rated	93 %
LLMF 8000 h Rated	93 %
LLMF 12000 h Rated	92 %
LLMF 16000 h Rated	91 %
LLMF 20000 h Rated	90 %
Ratio Scotopic/Photopic Lumens	1.15
Operating and electrical	
Power (Nom)	90.0 W
Ignition Peak Voltage (Max)	5000 V
Re-Ignition Time (Min) (Max)	900 s
Ignition Time (Max)	30 s
Voltage (Max)	98 V
Voltage (Min)	86 V
Voltage (Nom)	92 V
Controls and dimming	
Dimmable	Yes
Run-Up Time 90% (Max)	4 min
Mechanical and housing	
Bulb Finish	Clear

Bulb Shape	T19 [ T 19mm]
Approval and application	
Energy Efficiency Class	E
Mercury (Hg) Content (Max)	3 mg
Mercury (Hg) Content (Nom)	3.0 mg
Energy Consumption kWh/1000 h	90 kWh
EPREL Registration Number	473351
UV	
Pet (Niosh) (Min)	8 h/500lx
Pet (Niosh) (Nom)	38 h/500lx
Damage Factor D/fc (Nom)	0.18
Luminaire design requirements	
Bulb Temperature (Max)	470 °C
Cap-Base Temperature (Max)	300 °C
Cap-Base Temperature (Max)-DUP(do not use)	572 °F
Product data	
Full product code	871150021121715
Order product name	MASTER CosmoWhite CPO-TW Xtra 90W/728 PGZ12
EAN/UPC - Product	8711500211217
Order code	928093505127
Numerator - Quantity Per Pack	1
Local code description	LAMP COSMOPOLIS WHITE CPOTW90/728
Numerator - Packs per outer box	12
Material Nr. (12NC)	928093505127
Net Weight (Piece)	0.037 kg
ILCOS Code	MT-90/728-H-PGZ12-20/143

## Dimensional drawing

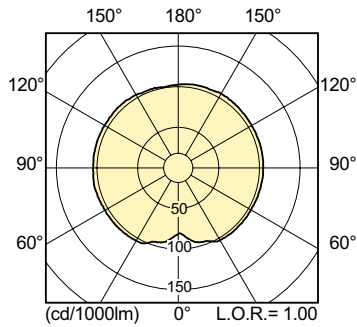


MASTER CosmoWhite CPO-TW Xtra 90W/728 PGZ12

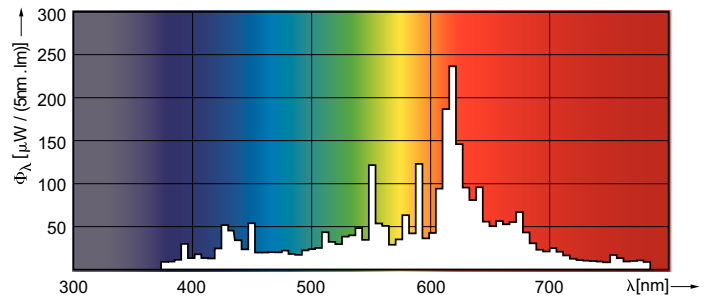
Product	D (max)	D	O	L	C (max)
MASTER CosmoWhite CPO-TW Xtra 90W/728 PGZ12	20 mm	19 mm	18 mm	66 mm	143 mm

# MASTER CosmoWhite CPO-TW & CPO-TW Xtra

## Photometric data

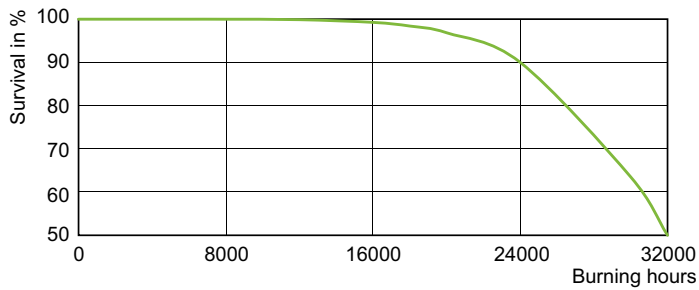


LDLD\_CPO-TW\_0003-Light distribution diagram

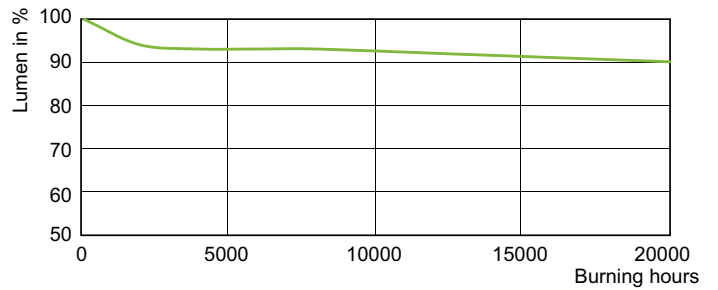


LDPO\_CPO-TW\_90W\_728-Spectral power distribution Colour

## Lifetime



LDLE\_CPO-TW\_0001-Life expectancy diagram



LDLM\_CPO-TW\_0003-Lumen maintenance diagram

