



HF-Matchbox Blue

HF-M BLUE 121 LH TL5 230-240V

HF-Matchbox Blue is an affordable, reliable, compact, lightweight and high-frequency ballast for use with system wattages below 25 W in combination with TL mini, TL-D, TL5 and TL5c, PL-T/C, and PL-L/S lamps. The HF-M Blue range has a robust design, meets all relevant international safety and performance standards and has an energy efficiency index (CELMA EEI) of A2.; The ballast is primarily designed for Indoor application. For outdoor application, the luminaire should be minimum Classland need to be sufficiently protected against water & dust. The installation should also be guard against any lightening surge or any other necessary electrical protection as deemed in such typical installation & application.

Product data

General Information	
Lamp Type	TL5
Number of Lamps	1 piece/unit
Number of Products on MCB (16A Type B) (Nom)	59
Automatic Restart	Yes
Operating and Electrical	
Input Voltage	230 to 240 V
Input Frequency	50 to 60 Hz
Power Factor 100% Load (Nom)	0.64
Ignition Time (Max)	0.5 s
Mains Voltage Performance (AC)	-8%~+6%
Mains Voltage Safety (AC)	-10%~+10%
Power Losses (Nom)	2.4 W
Wiring	
Connector Type Input Terminals	Insert

Color Input Terminals	Gray
Color Output Terminals	Grey
Connector Type Output Terminals	Insert
Cable Length From Device to Lamp	1.50 m
Cable Length Hot Wiring	0.30 m
Wire Striplength	8.0-9.0 mm
Input Terminal Cross Section	0.50-1.50 mm ²
Output Terminal Cross Section	0.50-1.50 mm ²
System characteristics	
Rated Ballast-Lamp Power	21 W
Temperature	
T-Ambient (Max)	40 °C
T-Ambient (Min)	-10 °C
T-Case Maximum (Max)	75 °C

HF-Matchbox Blue

Mechanical and Housing

Housing LH

Emergency Operation

Battery Voltage Lamp Ignition 194-254 V

Approval and Application

IP Classification IP 20 [Ingress Protection 20]

Approval Marks F-Marking CE marking VDE certificate CB Certificate

Product Data

Full product code 871150053646430

Order product name HF-M BLUE 121 LH TL5 230-240V

EAN/UPC - Product 8711500536464

Order code 913700418366

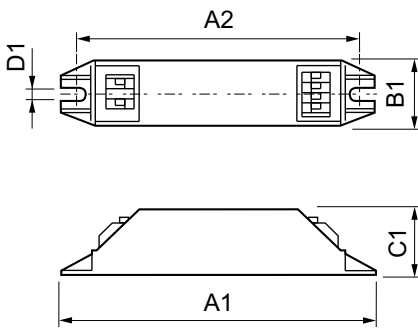
Numerator - Quantity Per Pack 1

Numerator - Packs per outer box 50

Material Nr. (12NC) 913700418366

Net Weight (Piece) 0.043 kg

Dimensional drawing



HF-M BLUE 121 LH TL5 230-240V

Product

HF-M BLUE 121 LH TL5 230-240V

